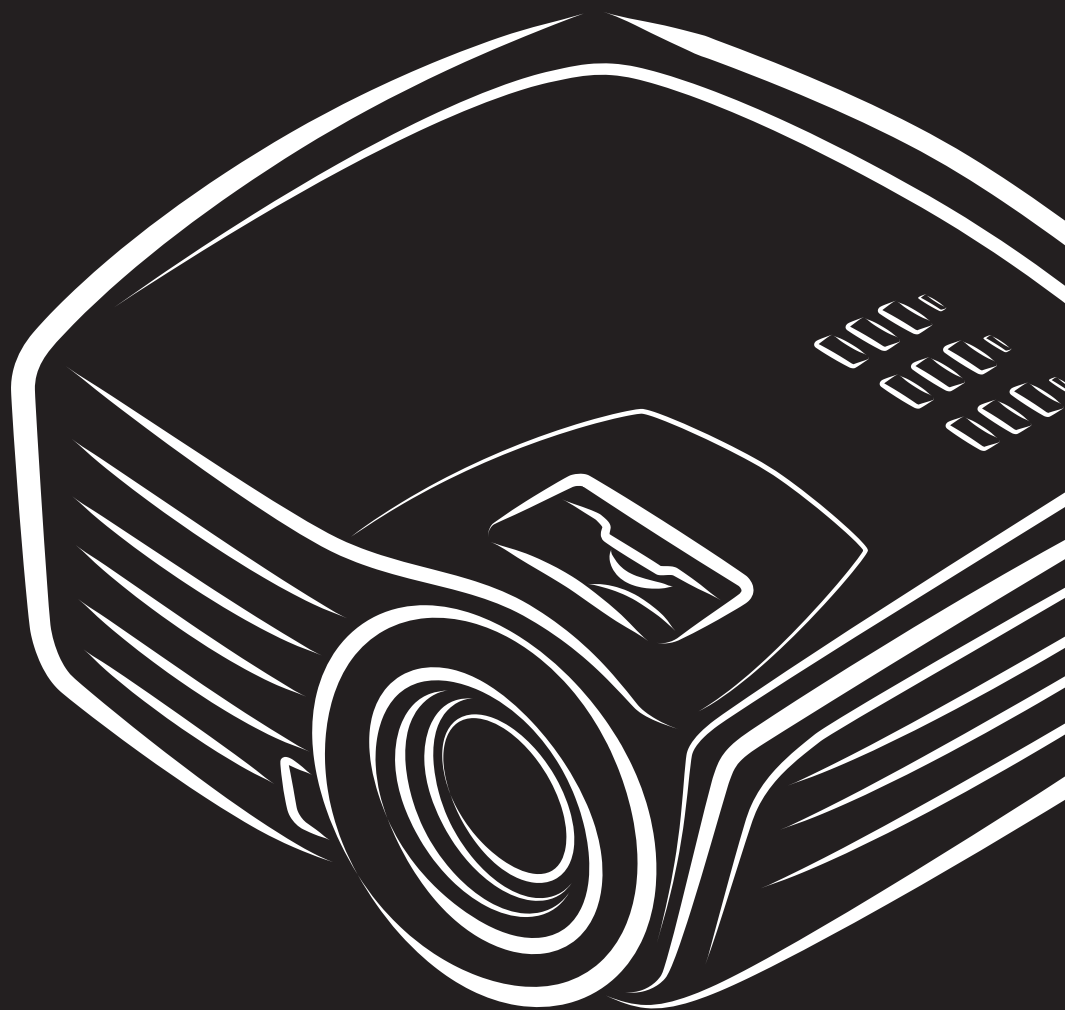


**vivitek**<sup>®</sup> User Manual  
Vivid Color, Vivid Life

# H1188 Series



PICTURE BY  
**DLP**<sup>®</sup>  
TEXAS INSTRUMENTS

## Copyright

This publication, including all photographs, illustrations and software, is protected under international copyright laws, with all rights reserved. Neither this manual, nor any of the material contained herein, may be reproduced without written consent of the author.

© Copyright 2015

## Disclaimer

The information in this document is subject to change without notice. The manufacturer makes no representations or warranties with respect to the contents hereof and specifically disclaims any implied warranties of merchantability or fitness for any particular purpose. The manufacturer reserves the right to revise this publication and to make changes from time to time in the content hereof without obligation of the manufacturer to notify any person of such revision or changes.

## Trademark Recognition



Kensington is a U.S. registered trademark of ACCO Brand Corporation with issued registrations and pending applications in other countries throughout the world.



HDMI, the HDMI Logo, and High-Definition Multimedia Interface are trademarks or registered trademarks of HDMI Licensing LLC in the United States and other countries.

All other product names used in this manual are the properties of their respective owners and are acknowledged.

## Important Safety Information



**Important:**

*It is strongly recommended that you read this section carefully before using the projector. These safety and usage instructions will ensure that you enjoy many years of safe use of the projector. **Keep this manual for future reference.***

### Symbols Used

Warning symbols are used on the unit and in this manual to alert you of hazardous situations.

The following styles are used in this manual to alert you to important information.

**Note:**

*Provides additional information on the topic at hand.*



**Important:**

*Provides additional information that should not be overlooked.*



**Caution:**

*Alerts you to situations that may damage the unit.*



**Warning:**

*Alerts you to situations that may damage the unit, create a hazardous environment, or cause personal injury.*

Throughout this manual, component parts and items in the OSD menus are denoted in bold font as in this example:

“Push the **Menu** button on the remote control to open the **Main** menu.”

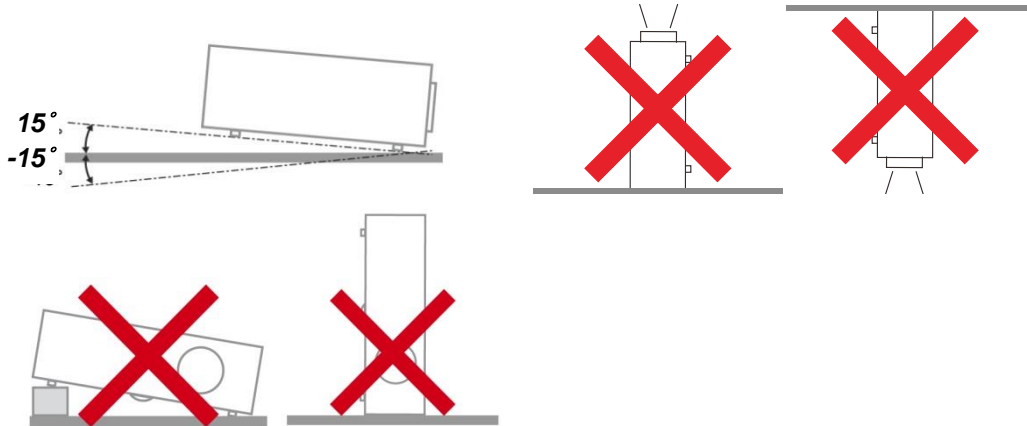
### General Safety Information

- Do not open the unit case. Aside from the projection lamp, there are no user-serviceable parts in the unit. For servicing, contact qualified service personnel.
- Follow all warnings and cautions in this manual and on the unit case.
- The projection lamp is extremely bright by design. To avoid damage to eyes, do not look into the lens when the lamp is on.
- Do not place the unit on an unstable surface, cart, or stand.
- Avoid using the system near water, in direct sunlight, or near a heating device.
- Do not place heavy objects such as books or bags on the unit.

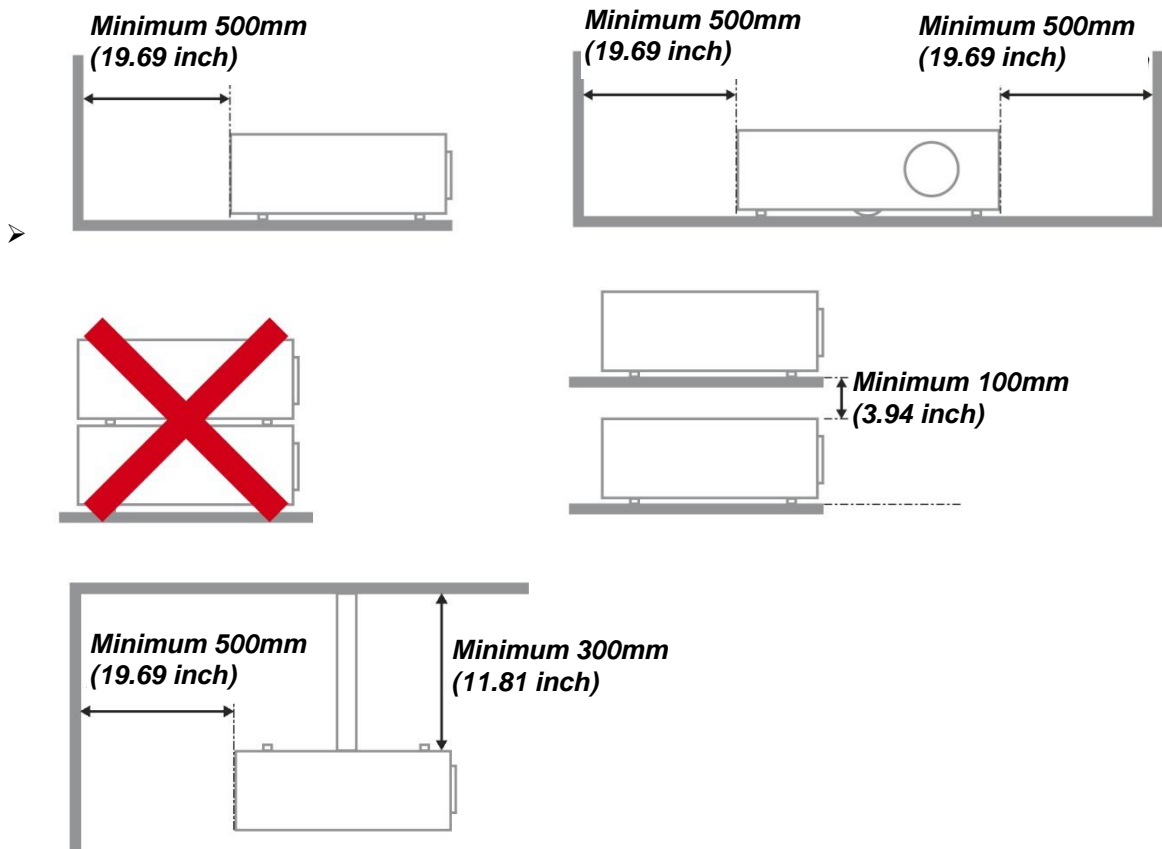
### Projector Installation Notice

Place the projector in a horizontal position

**The tilt angle of the projector should not exceed 15 degrees**, nor should the projector be installed in any way other than the desktop and ceiling mount, otherwise lamp life could decrease dramatically, and may lead to other **unpredictable damages**.



- Allow at least 50 cm clearance around the exhaust vent.



- Ensure that the intake vents do not recycle hot air from the exhaust vent.
- When operating the projector in an enclosed space, ensure that the surrounding air temperature within the enclosure does not exceed operation temperature while the projector is running, and the air intake and exhaust vents are unobstructed.
- All enclosures should pass a certified thermal evaluation to ensure that the projector does not recycle exhaust air, as this may cause the device to shutdown even if the enclosure temperature is within the acceptable operation temperature range.

### **Verify Installation Location**

- To supply power, the 3-blade (with earthing lead) socket should be used to ensure proper grounding and equalized ground potential for all of the equipment in the Projector System.
- The power code provided with the Projector should be used. In case of any missing item, other qualified 3-blade (with earthing lead) power cord can be used as substitution; however, do not use 2-blade power cord.
- Verify if the voltage is stable, grounded properly and there is no electricity leakage.
- Measure total power consumption which should not higher the safety capacity and avoid safety issue and short circuit.
- Turn on Altitude Mode when located in high altitude areas
- The projector can only be installed upright or inverted.
- When installation the bracket, make sure the weight limit is not exceed and firmly secured.
- Avoid installing near air conditioner duct or subwoofer.
- Avoid installing at high temperature, insufficient cooling and heavy dust locations.
- Keep your product away from fluorescent lamps (> 1 meter) to avoid malfunction caused by IR interference
- The VGA IN connector should be connected to the VGA IN port. Note that it should be inserted tightly, with the screws on both sides securely fastened to ensure proper connection of the signal wire for achieving optimal display effect.
- The AUDIO IN connector should be connected to the AUDIO IN port and CANNOT be connected to AUDIO OUT or other ports like BNC, RCA; otherwise, it will lead to mute output and even DAMAGE the port.
- Install the projector above 200cm to avoid damage.
- The power cord and signal cable should be connected before power on the projector. During the projector starting and operating process, DO NOT insert or remove the signal cable or the power cord to avoid damaging the projector.

### **Cooling notes**

#### **Air outlet**

- Make sure the air outlet is 50cm clear of any obstruction to ensure proper cooling.
- Air outlet location should not be in front of the lens of other projector to avoid causing illusions.
- Keep the outlet at least 100cm away from the inlets of other projectors
- The projector generates a massive amount of heat during use. The internal fan dissipates the heat of the projector when shutting down, and such process may continue for a certain period. After the project enters STANDBY MODE status, press the AC power button to turn off the projector and remove the power cord. DO NOT remove the power cord during the shutdown process, as it may cause damage to the projector. In the meantime, the delayed heat radiating will also affect the service life of the projector. The shutdown process may vary depending on the model used. Whatever the case may be, be sure to disconnect the power cord till after the projector enters the STANDBY status.

#### **Air inlet**

- Make sure there is no object blocking air input within 30 cm.
- Keep the inlet away from other heat sources
- Avoided heavy dust area

### Power Safety

- Only use the supplied power cord.
- Do not place anything on the power cord. Place the power cord where it will not be in the way of foot traffic.
- Remove the batteries from the remote control when storing or not in use for a prolonged period.

### Replacing the Lamp

Replacing the lamp can be hazardous if done incorrectly. See [Replacing the Projection Lamp](#) on page 34 for clear and safe instructions for this procedure. Before replacing the lamp:

- Unplug the power cord.
- Allow the lamp to cool for about one hour.

**Caution:**

*In rare cases the lamp bulb may burn out during normal operation and cause glass dust or shards to be discharged outward from the rear exhaust vent.*

*Do not inhale or do not touch glass dust or shards. Doing so could result in injury.*

*Always keep your face away from the exhaust vent so that you do not suffer from the gas and broken shards of the lamp.*

### Cleaning the Projector

- Unplug the power cord before cleaning. See [Cleaning the Projector](#) page 37.
- Allow the lamp to cool for about one hour.

### Regulatory Warnings

Before installing and using the projector, read the regulatory notices in the [Regulatory Compliance](#) on page 49.

### Important Recycle Instructions:



Lamp(s) inside this product contain mercury. This product may contain other electronic waste that can be hazardous if not disposed of properly. Recycle or dispose in accordance with local, state, or federal Laws. For more information, contact the Electronic Industries Alliance at [WWW.EIAE.ORG](http://WWW.EIAE.ORG). For lamp specific disposal information check [WWW.LAMPRECYCLE.ORG](http://WWW.LAMPRECYCLE.ORG).

### Symbol Explanations



DISPOSAL: Do not use household or municipal waste collection services for disposal of electrical and electronic equipment. EU countries require the use of separate recycling collection services.

## **Main Features**

- *Lightweight unit, easy to pack away and transport.*
- *Compatible with all major video standards including NTSC, PAL, and SECAM.*
- *A high brightness rating allows for presentations in daylight or in lit rooms.*
- *Supports resolutions up to UXGA at 16.7 million colors to deliver crisp, clear images.*
- *Flexible setup allows for front, rear projections.*
- *Line-of-vision projections remain square, with advanced keystone correction for angled projections.*
- *Input source automatically detected.*

## **About this Manual**

This manual is intended for end users and describes how to install and operate the DLP projector. Wherever possible, relevant information—such as an illustration and its description—has been kept on one page. This printer-friendly format is both for your convenience and to help save paper, thereby protecting the environment. It is suggested that you only print sections that are relevant to your needs.

## Table of Contents

<b>GETTING STARTED.....</b>	<b>1</b>
PACKING CHECKLIST.....	1
VIEWS OF PROJECTOR PARTS.....	2
<i>Front-right View</i> .....	2
<i>Top view—On-screen Display (OSD) buttons and LEDs</i> .....	3
<i>Rear view</i> .....	4
<i>Bottom view</i> .....	5
REMOTE CONTROL PARTS.....	6
REMOTE CONTROL OPERATING RANGE.....	8
PROJECTOR AND REMOTE CONTROL BUTTONS.....	8
INSERTING THE REMOTE CONTROL BATTERIES.....	9
<b>SETUP AND OPERATION.....</b>	<b>10</b>
STARTING AND SHUTTING DOWN THE PROJECTOR.....	10
ADJUSTING THE PROJECTOR LEVEL.....	12
ADJUSTING THE VERTICAL IMAGE POSITION.....	13
ADJUSTING THE ZOOM, FOCUS AND KEYSTONE.....	13
ADJUSTING THE VOLUME.....	14
<b>ON-SCREEN DISPLAY (OSD) MENU SETTINGS.....</b>	<b>15</b>
OSD MENU CONTROLS.....	15
<i>Navigating the OSD</i> .....	15
SETTING THE OSD LANGUAGE.....	16
OSD MENU OVERVIEW.....	17
PICTURE>>BASIC MENU.....	19
PICTURE>>ADVANCED MENU.....	20
<i>HSG Adjustment</i> .....	21
<i>VividSettings</i> .....	22
DISPLAY MENU.....	23
<i>PC Detail Adjustment</i> .....	24
<i>White Balance</i> .....	25
<i>User Color Temp</i> .....	26
<i>3D Setting</i> .....	27
SETUP>>BASIC MENU.....	28
<i>Menu Settings</i> .....	29
<i>Source</i> .....	29
SETUP>>ADVANCED MENU.....	30
<i>Audio</i> .....	31
<i>Lamp</i> .....	31
<i>Closed Caption</i> .....	32
STATUS MENU.....	33
<b>MAINTENANCE AND SECURITY.....</b>	<b>34</b>
REPLACING THE PROJECTION LAMP.....	34
<i>Resetting the Lamp</i> .....	36
CLEANING THE PROJECTOR.....	37
<i>Cleaning the Lens</i> .....	37
<i>Cleaning the Case</i> .....	37
USING THE KENSINGTON® LOCK & USING THE SECURITY BAR.....	38
<i>Using the Kensington® Lock</i> .....	38
<i>Using the Security Bar</i> .....	38
<b>TROUBLESHOOTING.....</b>	<b>39</b>
COMMON PROBLEMS AND SOLUTIONS.....	39
TIPS FOR TROUBLESHOOTING.....	39
LED ERROR MESSAGES.....	40
IMAGE PROBLEMS.....	40
LAMP PROBLEMS.....	41



REMOTE CONTROL PROBLEMS ..... 41

AUDIO PROBLEMS ..... 41

HAVING THE PROJECTOR SERVICED ..... 42

HDMI Q & A ..... 43

**SPECIFICATIONS ..... 44**

    SPECIFICATIONS ..... 44

    PROJECTION DISTANCE VS. PROJECTION SIZE ..... 45

*Projection Distance and Size Table* ..... 45

    TIMING MODE TABLE ..... 46

    PROJECTOR DIMENSIONS ..... 48

**REGULATORY COMPLIANCE ..... 49**

    FCC WARNING ..... 49

    CANADA ..... 49

    SAFETY CERTIFICATIONS ..... 49

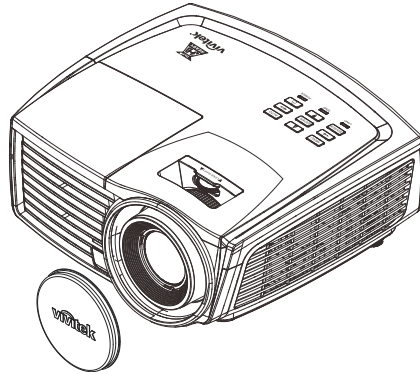
**APPENDIX I ..... 50**

    RS-232C PROTOCOL ..... 50

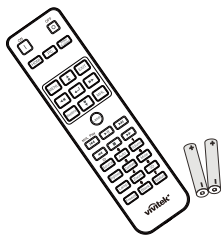
## GETTING STARTED

### Packing Checklist

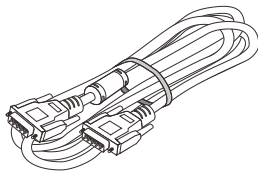
Carefully unpack the projector and check that the following items are included:



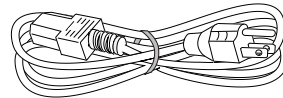
DLP PROJECTOR WITH LENS CAP



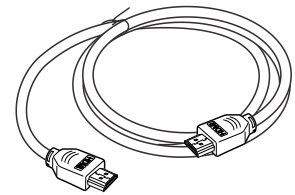
REMOTE CONTROL  
(WITH TWO AAA  
BATTERIES)



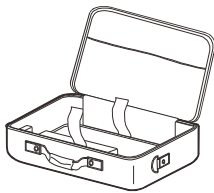
RGB CABLE



POWER CORD



HDMI CABLE



CARRYING CASE



CD-ROM  
(THIS USER'S MANUAL)



QUICK START GUIDE



WARRANTY CARD

Contact your dealer immediately if any items are missing, appear damaged, or if the unit does not work. It is recommended that you keep the original packing material should you ever need to return the equipment for warranty service.

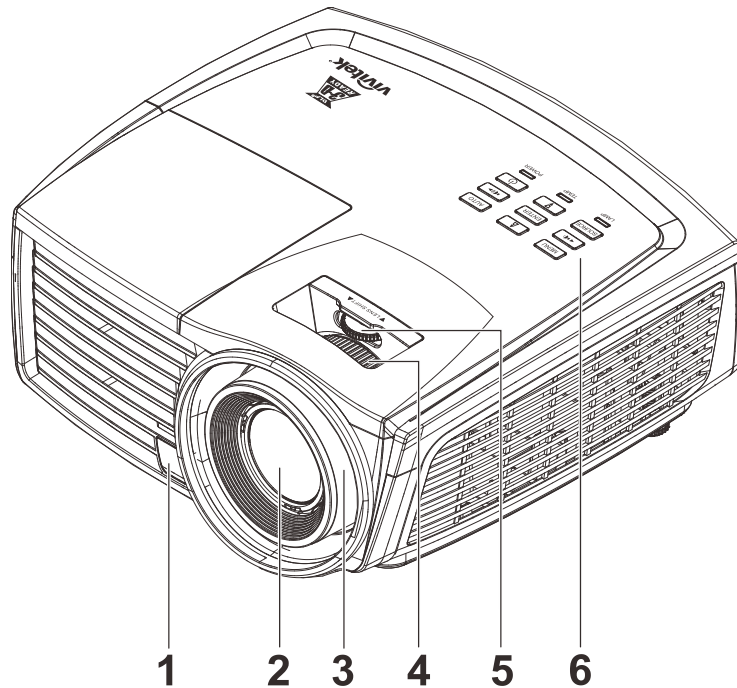


**Caution:**

Avoid using the projector in dusty environments.

**Views of Projector Parts**

*Front-right View*



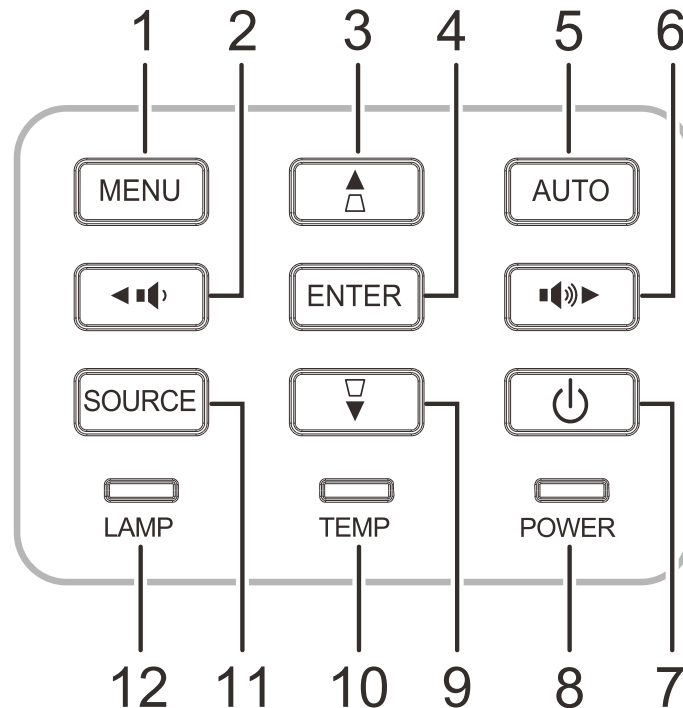
ITEM	LABEL	DESCRIPTION	SEE PAGE
1.	IR receiver	Receive IR signal from remote control	
2.	Lens	Projection Lens	
3.	Focus ring	Focuses the projected image	<b>13</b>
4.	Zoom ring	Enlarges the projected image	
5.	LENS SHIFT	For Image vertical shift adjustment.	<b>13</b>
6.	Function keys	See Top view—On-screen Display (OSD) buttons and LEDs.	<b>3</b>



**Important:**

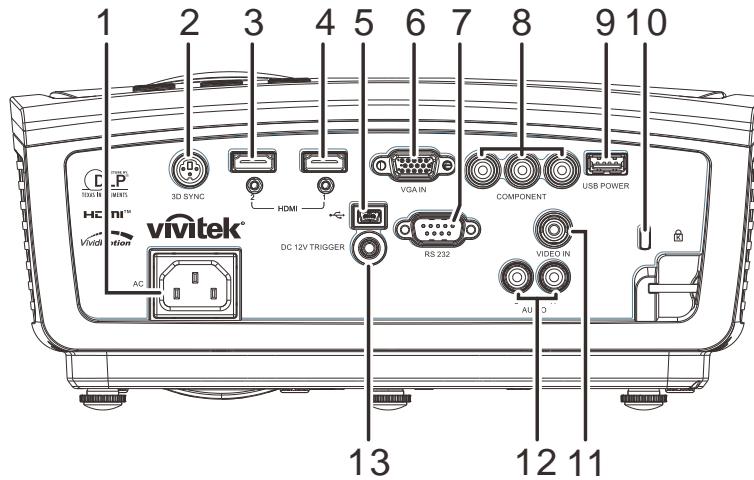
*Ventilation openings on the projector allow for good air circulation, which keeps the projector lamp cool. Do not obstruct any of the ventilation openings.*


Top view—On-screen Display (OSD) buttons and LEDs



ITEM	LABEL	DESCRIPTION		SEE PAGE
1.	MENU	Opens and exits OSD menus		15
2.	◀▶	Navigates and changes settings in the OSD Quick Menu – For Volume		
3.	▲ ▾	Navigates in the OSD Quick Menu – For Keystone		
4.	ENTER	Enter or confirm highlighted OSD menu item		
5.	AUTO	Optimizes image size, position, and resolution		
6.	▶▶	Navigates and changes settings in the OSD Quick Menu – For Volume		
7.	⏻	Turns the projector On or Off		
8.	POWER LED	Green	Ready to power on (Standby) Lamp Lit , System stable Over Temperature	40
		Flashing	Error code	
9.	▾ ▼	Navigates in the OSD Quick Menu – For Keystone		15
10.	TEMP LED	Red	Over Temperature	40
11.	SOURCE	Enter the Source menu		15
12.	LAMP LED	Red	Lamp Fail	40
		Flashing	Error code	

Rear view



ITEM	LABEL	DESCRIPTION	SEE PAGE
1.	AC IN	Connect the POWER cable	10
2.	3D SYNC	Connect the 3D IR glasses transmitter (Note: For Vivitek brand 3D IR glasses only)	
3.	HDMI 2	Connect the HDMI cable from a HDMI device	
4.	HDMI 1	Connect the HDMI cable from a HDMI device	
5.	 (USB)	Connect the USB cable from a computer	
6.	VGA IN	Connect the RGB cable from a computer	
7.	RS-232C	Connect RS-232 serial port cable for remote control	
8.	COMPONENT	Connect the Component cable from a component device	
9.	USB POWER	For USB charge support DC 5V	
10.	Kensington Lock	Secure to permanent object with a Kensington® Lock system	38
11.	VIDEO IN	Connect the COMPOSITE cable from a video device	
12.	AUDIO IN (L and R)	Connect the AUDIO cable from a audio device	
13.	DC 12V TRIGGER	When connected to the screen through a commercially available cable, the screen deploys automatically on start up of the projector. The screen retracts when the projector is powered off (see notes below).	

**Note:**

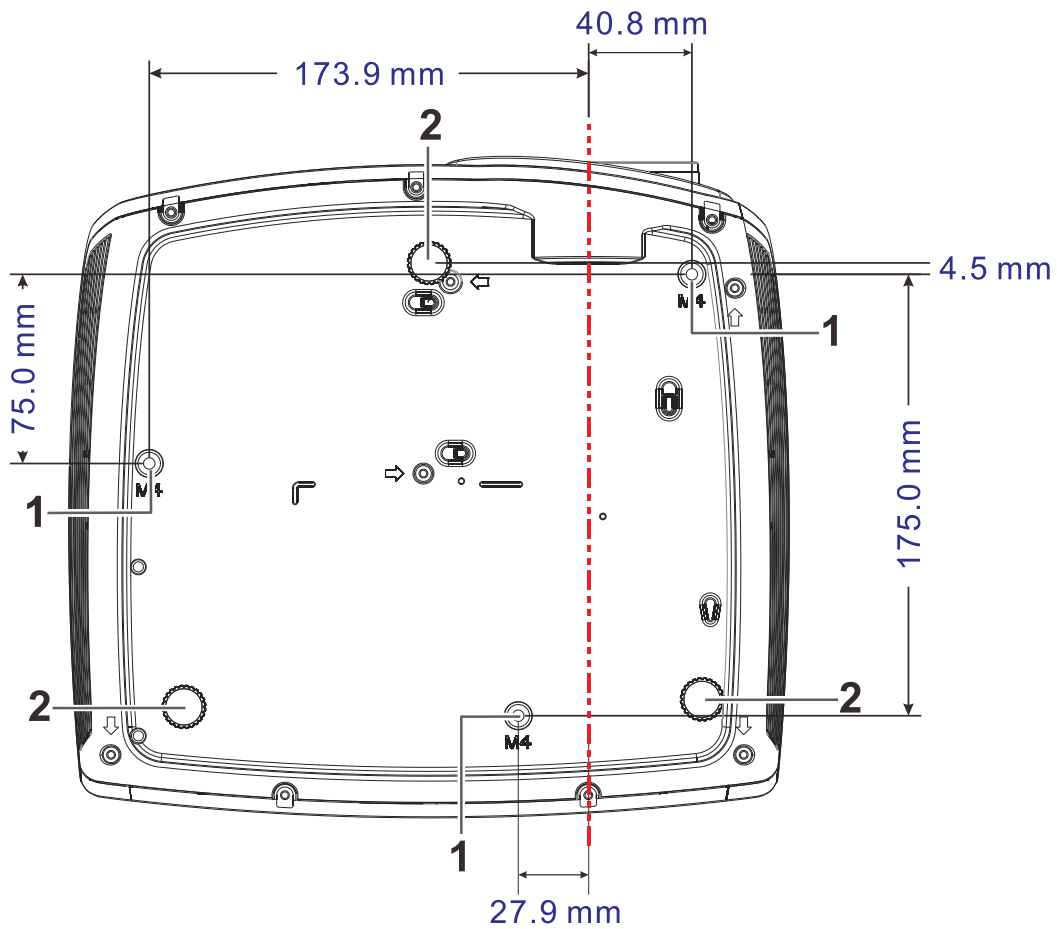
- To use this feature, you must plug in the connector before turn on/off the projector.
- Screen controllers are supplied and supported by screen manufacturers.
- Do not use this jack for anything other than intended use.



**Warning:**

As a safety precaution, disconnect all power to the projector and connecting devices before making connections.

Bottom view



ITEM	LABEL	DESCRIPTION	SEE PAGE
1.	Ceiling support holes	Contact your dealer for information on mounting the projector on a ceiling	
2.	Tilt adjuster	Rotate adjuster lever to adjust angle position.	12

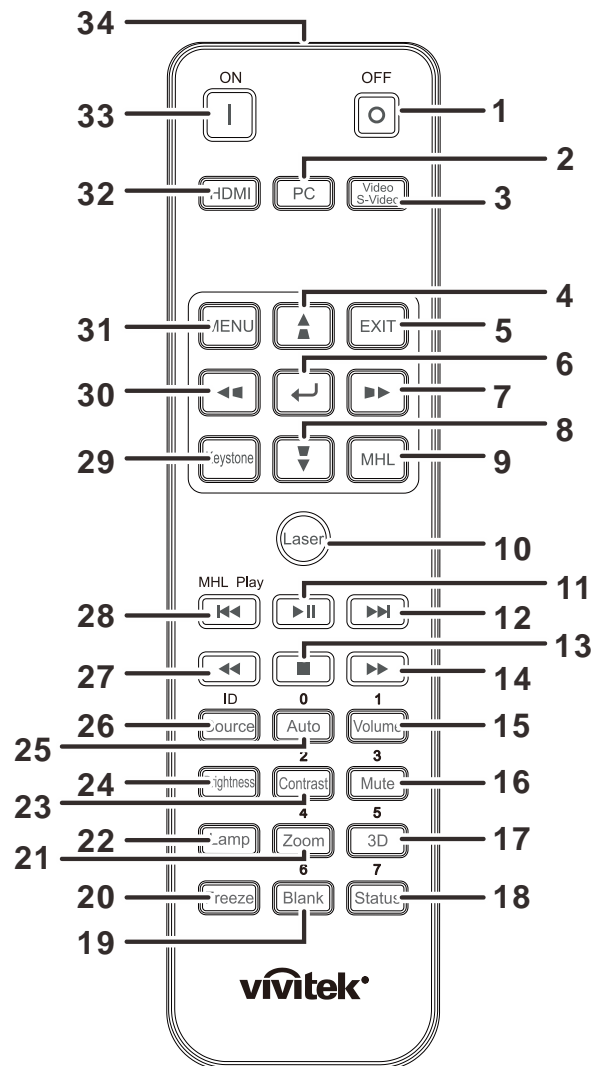
**Note:**

*When installing, ensure that you use only UL Listed ceiling mounts.*

*For ceiling installations, use approved mounting hardware and M4 screws with a maximum screw depth of 6 mm (0.24 inch).*

*The construction of the ceiling mount must be of a suitable shape and strength. The ceiling mount load capacity must exceed the weight of the installed equipment, and as an additional precaution be capable of withstanding three times the weight of the equipment (not less than 5.15 kg) over a period of 60 seconds.*

## Remote Control Parts



**Important:**

1. Avoid using the projector with bright fluorescent lighting turned on. Certain high-frequency fluorescent lights can disrupt remote control operation.
2. Be sure nothing obstructs the path between the remote control and the projector. If the path between the remote control and the projector is obstructed, you can bounce the signal off certain reflective surfaces such as projector screens.
3. The buttons and keys on the projector have the same functions as the corresponding buttons on the remote control. This user's manual describes the functions based on the remote control.









**Note:**

Complies with FDA performance standards for laser products except for deviations pursuant to Laser Notice No. 50, dated June 24, 2007



**Caution:**

Use of controls, adjustments or performance of procedures other than those specified herein may result in hazardous laser light exposure.

ITEM	LABEL	DESCRIPTION	SEE PAGE
1.	OFF	Turns the projector off.	
2.	PC	Displays the PC source selection.	
3.	Video/S-Video	Displays the VIDEO source selection.	
4.		Navigates and changes settings in the OSD. Keystone correction.	15
5.	EXIT	NA	
6.		Enters and confirms settings in the OSD.	15
7.		Navigates and changes settings in the OSD.	
8.		Navigates and changes settings in the OSD. Keystone correction.	15
9.	MHL	NA	
10.	Laser	Presses to emit the on-screen pointer. <b>DO NOT POINT IN EYES.</b>	
11.		NA	
12.		NA	
13.		NA	
14.		NA	
15.	Volume	Displays the volume setting bar.	14
16.	Mute	Toggles the built-in speaker between on and off.	
17.	3D	Opens the 3D function OSD.	
18.	Status	Opens the OSD Status menu (the menu only opens when an input device is detected).	33
19.	Blank	Toggles the screen between blank and normal.	
20.	Freeze	Freeze/unfreezes the on-screen picture.	
21.	Zoom	Displays the zoom setting bar.	
22.	Lamp	Displays the lamp mode selection.	
23.	Contrast	Displays the contrast setting bar.	
24.	Brightness	Displays the brightness setting bar.	



ITEM	LABEL	DESCRIPTION	SEE PAGE
25.	Auto	Auto adjustment for frequency, phase, and position.	15
26.	Source	Displays the source selection bar.	
27.	◀◀	NA	
28.	◀◀	NA	
29.	Keystone	Displays the keystone setting bar.	13
30.	◀◀	Navigates and changes settings in the OSD.	
31.	Menu	Opens the OSD.	15
32.	HDMI	Toggles the input sources for display between HDMI sources.	
33.	ON	Turns the projector on.	
34.	Laser	Use as on-screen pointer. <b>DO NOT POINT IN EYES.</b>	

**Note:**

**Controlling your smart device with the remote control**

When the projector projects the contents from your MHL compatible smart device, you can use the remote control to control your smart device.

To enter the MHL mode, the following buttons are available for controlling your smart device, Arrow keys (**▲ Up**, **▼ Down**, **◀ Left**, **▶ Right**), **MENU/EXIT**, **MHL** control buttons.

When the projector is under **MHL** mode, The keypad on projector should be with the same definition of the key on remote control.

**Remote Control Operating Range**

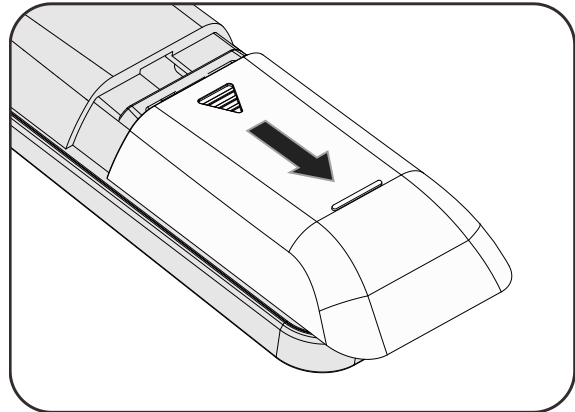
The remote control uses infrared transmission to control the projector. It is not necessary to point the remote directly at the projector. Provided you are not holding the remote perpendicular to the sides or the rear of the projector, the remote will function well within a radius of about 7 meters (23 feet) and 15 degrees above or below the projector level. If the projector does not respond to the remote control, move a little closer.

**Projector and Remote Control Buttons**

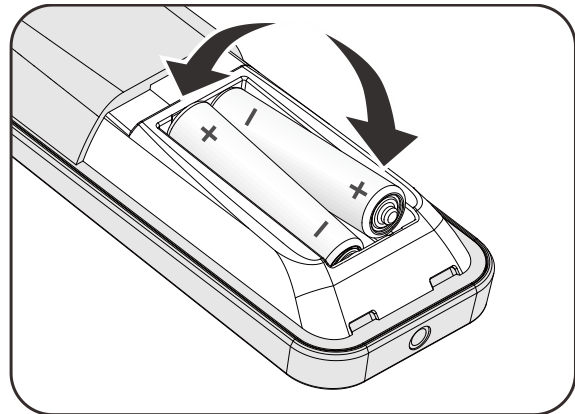
The projector can be operated using the remote control or the buttons on the top of the projector. All operations can be carried out with the remote control; however, the buttons on the projector are limited in use.

## Inserting the Remote Control Batteries

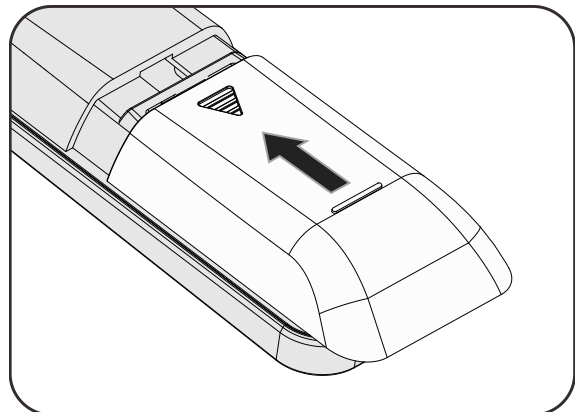
1. Remove the battery compartment cover by sliding the cover in the direction of the arrow.



2. Insert the battery with the positive side facing up.



3. Replace the cover.




**Caution:**

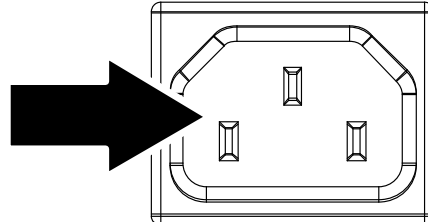
1. Only use AAA batteries (Alkaline batteries are recommended).
2. Dispose of used batteries according to local ordinance regulations.
3. Remove the batteries when not using the projector for prolonged periods.

## SETUP AND OPERATION


### Starting and Shutting down the Projector

1. Connect the power cord to the projector. Connect the other end to a wall outlet.

The  **POWER** LED on the projector light.

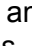
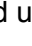


2. Turn on the connected devices.

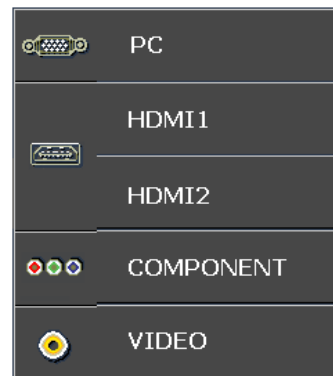
3. Ensure the POWER LED not a flashing. Then press the  **POWER** button to turn on the projector.

The projector splash screen displays and connected devices are detected.



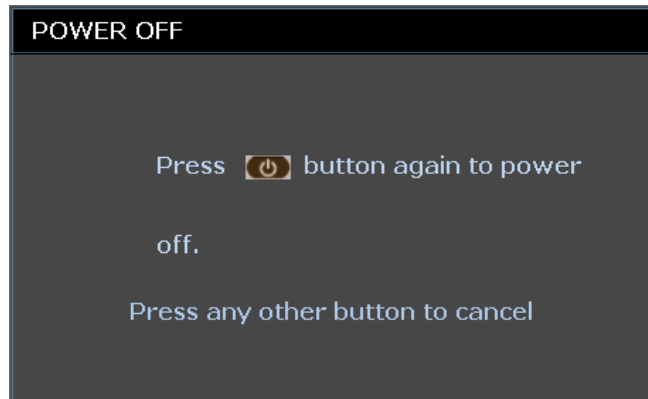
4. If more than one input device is connected, press the **SOURCE** button and use   to scroll among devices.

(Component is supported through the RGB to COMPONENT ADAPTER.)



- PC: Analog RGB
- HDMI 1 / HDMI 2: High-Definition Multimedia Interface
- COMPONENT: DVD input YCbCr/ YPbPr, or HDTV input YPbPr
- VIDEO: Traditional composite video

- 5.** When the “Power Off? /Press **Power** again” message appears, press the **POWER** button. The projector turns off.



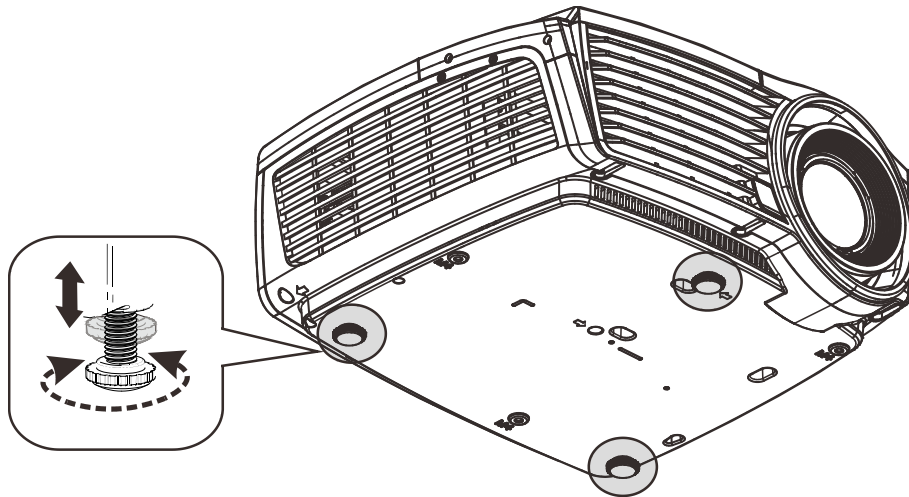
**Caution:**

1. *Be sure to remove the lens cap before starting projector.*
2. *Do not unplug the power cord until the POWER LED stops flashing—indicating the projector has cooled down.*

## Adjusting the Projector Level

Take note of the following when setting up the projector:

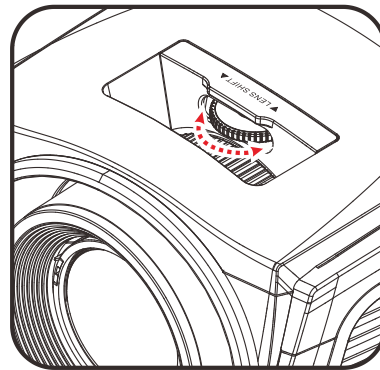
- *The projector table or stand should be level and sturdy.*
- *Position the projector so that it is perpendicular to the screen.*
- *Ensure the cables are in a safe location. You could trip over them.*



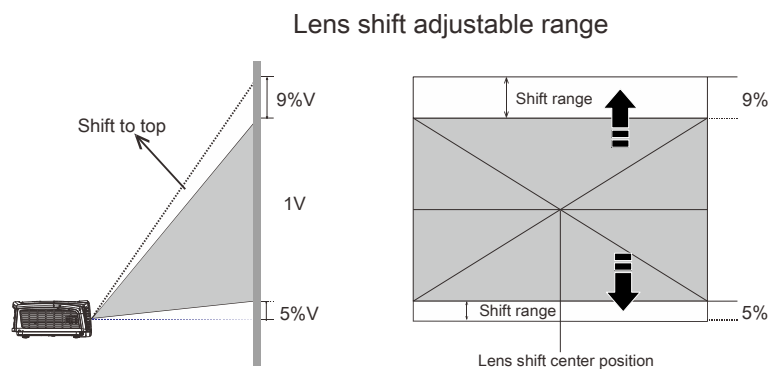
To adjust the angle of the picture, turn the tilt-adjuster right or left until the desired angle has been achieved.

## Adjusting the vertical image position

The Lens Shift function can be used to adjust the position of the vertically.



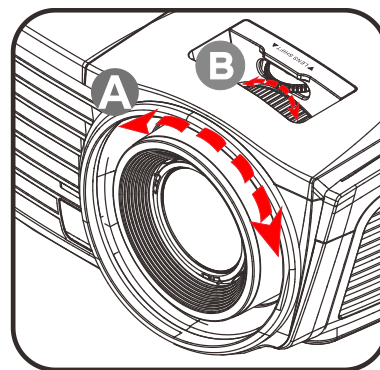
The display position can be shifted upward up to 9% and down to 5% elevation of the display.



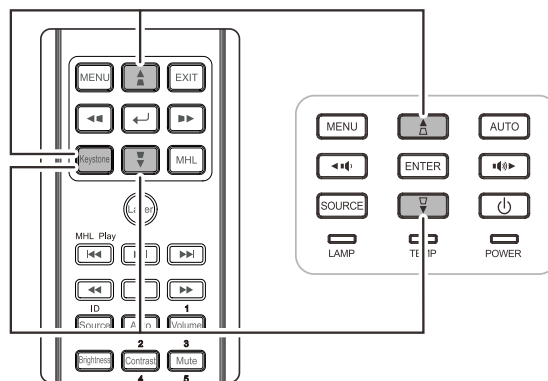
## Adjusting the Zoom, Focus and Keystone

1. Use the **Image-zoom** control (on the projector only) to resize the projected image and screen size **B**.

2. Use the **Image-focus** control (on the projector only) to sharpen the projected image **A**.



3. Use the **KEYSTONE** buttons (on the projector or the remote control) to correct image-trapezoid (wider top or bottom) effect.

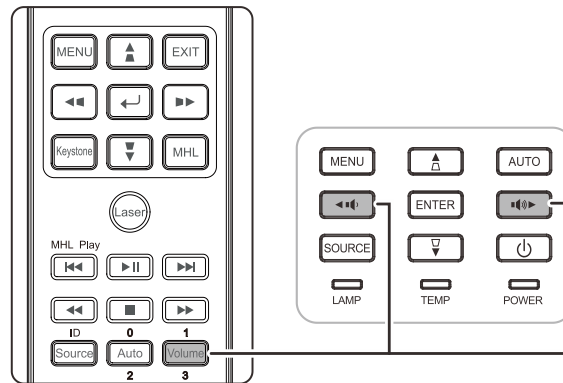


4. The keystone control appears on the display.



## Adjusting the Volume

1. Press the **Volume +/-** buttons on the remote control.  
The volume control appears on the display.



2. Press the **MUTE** button to turn off the volume.  
(This feature is available only on the remote).



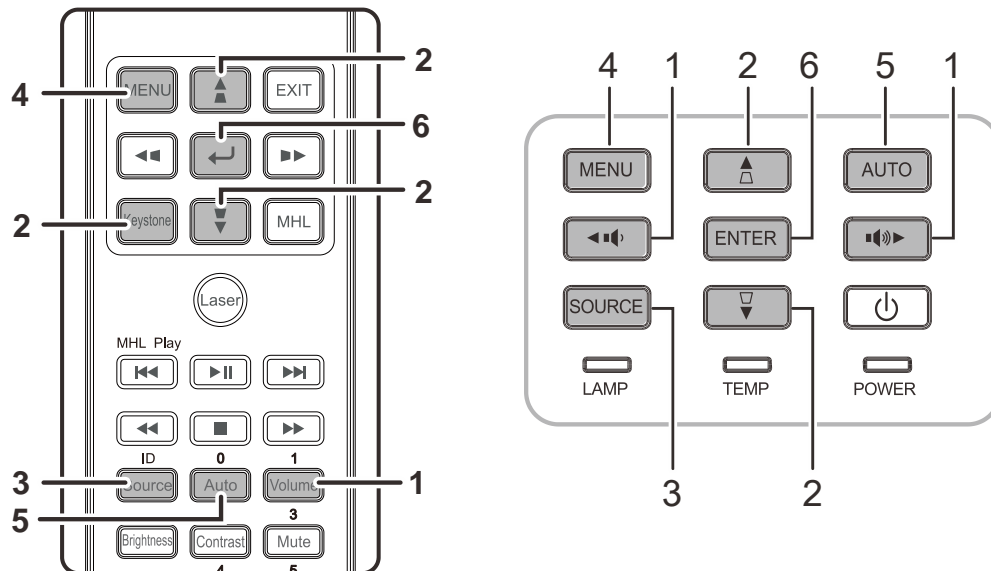
## ON-SCREEN DISPLAY (OSD) MENU SETTINGS

### OSD Menu Controls

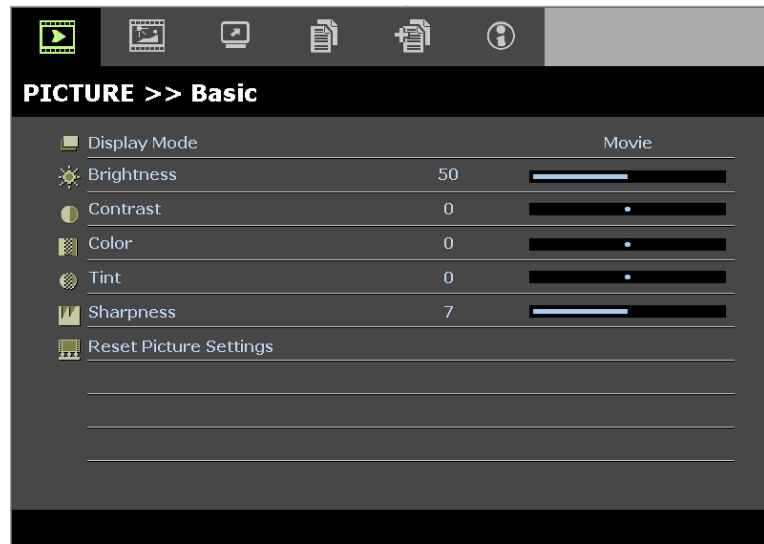
The projector has an OSD that lets you make image adjustments and change various settings.

#### Navigating the OSD

You can use the remote control cursor buttons to navigate and make changes to the OSD.



1. To enter the OSD, press the **MENU** button.
2. There are six menus. Press the cursor ◀▶ button to move through the menus.
3. Press the cursor ▲▼ button to move up and down in a menu.
4. Press ◀▶ to change values for settings.
5. Press **MENU** to close the OSD or leave a submenu.



**Note:**

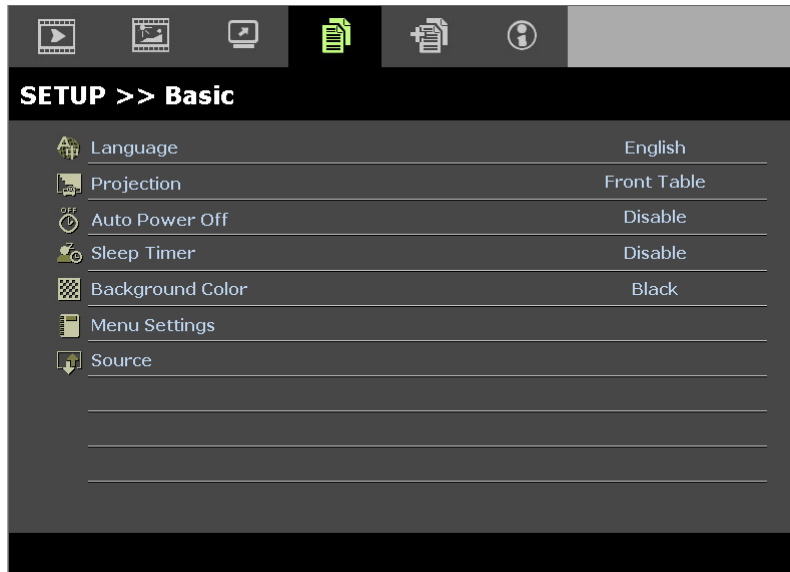
Depending on the video source, not all items in the OSD are available. For example, the **Horizontal/Vertical Position** items in the **Computer** menu can only be modified when connected to a PC. Items that are not available cannot be accessed and are grayed out.



## Setting the OSD Language

Set the OSD language to your preference before continuing.

1. Press the **MENU** button. Press the cursor ◀▶ button to navigate to **SETUP>>Basic**.



2. Press the cursor ▲▼ button until **Language** is highlighted.
3. Press the cursor ◀▶ button until the language you want is selected.
4. Press the **MENU** button to close the OSD.

## OSD Menu Overview

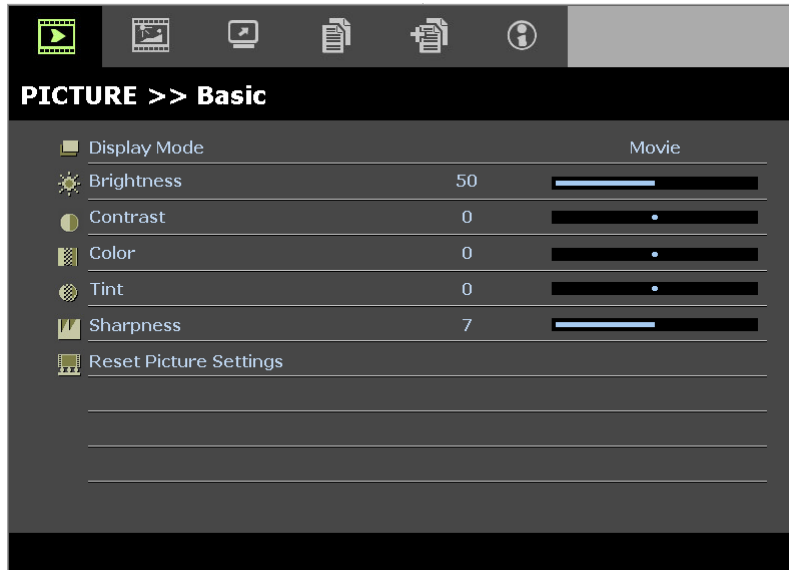
Use the following illustration to quickly find a setting or determine the range for a setting.

Main Menu	Sub Menu	Settings	
Picture >>Basic	Display Mode	Presentation, Movie, Vivid , Bright, Game, User1	
	Brightness	0 ~ 100	
	Contrast	-50 ~ 50	
	Color	-50 ~ 50	
	Tint	-50 ~ 50	
	Sharpness	0 ~ 21	
	Reset Pictures Setting	Reset current display mode value	
Picture >>Advanced	Color temperature	D65, D75, D83	
	Gamma	1.8 / 2.0 / 2.2 / 2.4 / B&W / Linear	
	HSG adjustment	Primary Color	R / G / B / C / M / Y
		Hue	-50 ~ 50
		Saturation	0 ~ 199
		Gain	0 ~ 199
	VividSettings	VividMotion	Off/ Low / Medium / High
		VividPeaking	0 ~ 3
		Flash tone	0 ~ 5
	Display	Aspect Ratio	Auto / 16:9 / 4:3 / Letter Box / Real
Keystone		-40 ~ 40	
Over scan		0 ~ 10	
PC detail adjustment		Auto	enter
		Frequency	By timing
		Phase	0 ~ 100
		Horizontal Position	-15 ~ 15
		Vertical Position	-50 ~ 50
White Balance		Red Gain	-50 ~ 50
		Green Gain	-50 ~ 50
		Blue Gain	-50 ~ 50
		Red Bias	-50 ~ 50
		Green Bias	-50 ~ 50
		Blue Bias	-50 ~ 50
User color temp		White Gain Red	5 ~ 195
		White Gain Green	5 ~ 195
		White Gain Blue	5 ~ 195
3D Setting	3D Mode	Auto / Side by Side / Top/Bottom / Frame Sequential / 2D to 3D	
	3D Sync	DLP-Link / IR-Link / Off	
	3D Sync Invert	Off / On	

Main Menu	Sub Menu	Settings		
Setup >> Basic	Language	English, Français, Deutsch, Español, Português, 简体中文, 繁體中文, Italiano, Norsk, Svenska, Nederlands, Русский, Polski, Suomi, Dansk, 한국어, 日本語		
	Projection	Front Table / Front Ceiling / Rear Table / Rear Ceiling		
	Auto power off	Disable / 5 / 10 / 15 / 20 / 25 / 30min		
	Sleep timer	Disable / 30min / 1hr / 2hr / 3hr / 4hr / 8hr / 12hr		
	Background color	Black / Blue / Purple		
	Menu Setting	Menu Position	Center / Right up / Right down / Left up / Left down	
		Menu display time	5 / 10 / 15 / 20 / 25 / 30 sec	
	Source	PC	Disable, Enable	
		HDMI1	Disable, Enable	
		HDMI2	Disable, Enable	
		Component	Disable, Enable	
		Video	Disable, Enable	
		Quick Auto Search	On / Off	
	Setup >> Advanced	Audio	Volume	0~10
			Mute	Off, On
		Lamp	Lamp Mode	Normal / ECO / Dynamic Eco
			Reset Lamp Timer	
Lamp Hour				
High Altitude Mode		Off / On		
Test Pattern		Off / on		
Close Caption		Off / On		
12V OUT A		On / Off		
Reset All		Yes / No		
Status	Source			
	Resolution			
	Lamp Hours (ECO, Normal)			
	Firmware Version			

## PICTURE>>Basic Menu

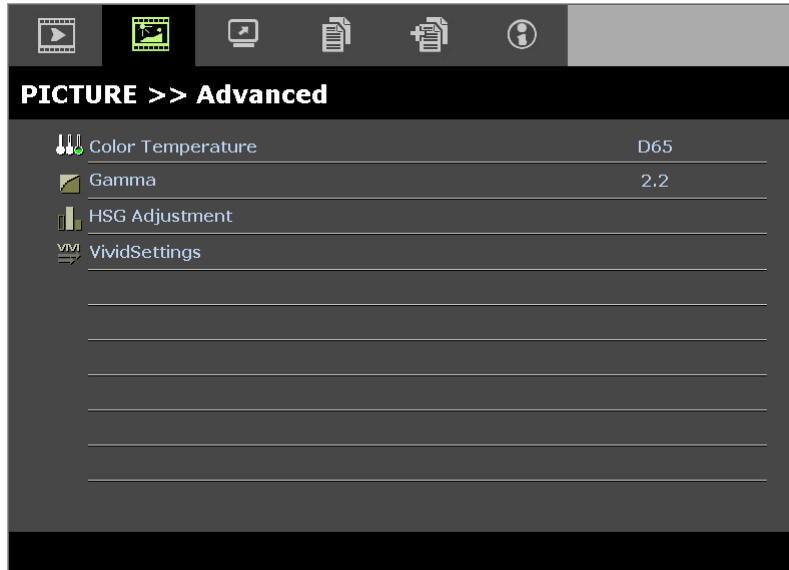
Press the **MENU** button to open the **OSD** menu. Press the cursor ◀▶ button to move to the **PICTURE>>Basic** menu. Press the cursor ▲▼ button to move up and down in the **PICTURE>>Basic** menu. Press ◀▶ to change values for settings.



ITEM	DESCRIPTION
Display Mode	Press the cursor ◀▶ buttons to set the Display Mode.
Brightness	Press the cursor ◀▶ buttons to adjust the display brightness.
Contrast	Press the cursor ◀▶ buttons to adjust the display contrast.
Color	Press the cursor ◀▶ buttons to adjust the video saturation. <b>Notes:</b> This function is only available when Component, Video input source is selected.
Tint	Press the cursor ◀▶ buttons to adjust the video tint/hue. <b>Notes:</b> This function is only available when Component, Video with NTSC system input source is selected.
Sharpness	Press the cursor ◀▶ buttons to adjust the display sharpness. <b>Notes:</b> This function is only available when Component, Video input source is selected.
Reset Picture Settings	Press the <b>ENTER</b> button to reset all settings to default values.

## PICTURE>>Advanced Menu

Press the **MENU** button to open the **OSD** menu. Press the cursor ◀▶ button to move to the **PICTURE>>Advanced** menu. Press the cursor ▲▼ button to move up and down in the **PICTURE>>Advanced** menu. Press ◀▶ to change values for settings.



ITEM	DESCRIPTION
Color Temperature	Press the cursor ◀▶ button to set the Color Temperature.
Gamma	Press the cursor ◀▶ button to adjust the gamma correction of the display.
HSG Adjustment	Press the <b>ENTER</b> button to enter the <b>HSG Adjustment</b> sub menu. See <a href="#">HSG Adjustment</a> on page 21.
VividSettings	Press the <b>ENTER</b> button to enter the <b>VividSettings</b> sub menu. See <a href="#">VividSettings</a> on page 22.

## HSG Adjustment

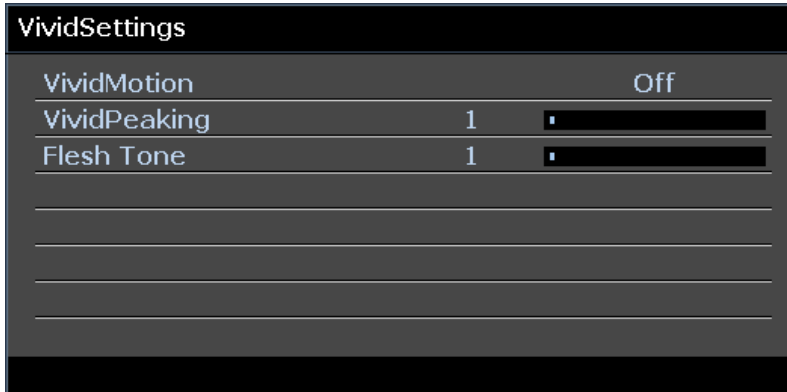
Press the **ENTER** button to enter the **HSG Adjustment** sub menu.



ITEM	DESCRIPTION
Primary Color	Press the ◀▶ buttons to set the Primary Color. <b>Notes:</b> There are six sets (R/ G/ B/ C/ M/ Y) of colors to be customized.
Hue	Press the ◀▶ buttons to adjust the Hue.
Saturation	Press the ◀▶ buttons to adjust the Saturation.
Gain	Press the ◀▶ buttons to adjust the Gain.

## VividSettings

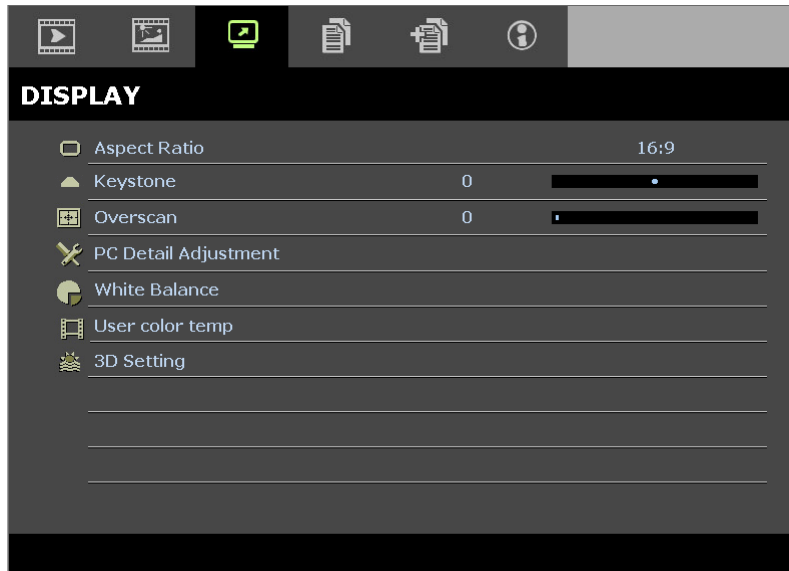
Press the **ENTER** button to enter the **VividSettings** sub menu.



ITEM	DESCRIPTION
VividMotion	Press the ◀▶ buttons to select different MEMC level.
VividPeaking	Press the ◀▶ buttons to adjust motion adaptive sharpness enhancement (2D Peaking) value.
Flesh Tone	Press the ◀▶ buttons to adjust the display flesh tone.

## DISPLAY Menu

Press the **MENU** button to open the **OSD** menu. Press the cursor ◀▶ button to move to the **DISPLAY** menu. Press the cursor ▲▼ button to move up and down in the **DISPLAY** menu. Press ◀▶ to change values for settings.



ITEM	DESCRIPTION
Aspect Ratio	Press the cursor ◀▶ button to set the Aspect Ratio.
Keystone	Press the cursor ◀▶ button to adjust the Keystone.
Overscan	Press the cursor ◀▶ button to adjust the Overscan.
PC Detail Adjustment	Press the <b>ENTER</b> button to enter the <b>PC Detail Adjustment</b> sub menu. See <a href="#">PC Detail Adjustment</a> on page 24.
White Balance	Press the <b>ENTER/ ▶</b> button to enter the <b>White Balance</b> sub menu. See <a href="#">White Balance</a> on page 25
User color temp	Press the <b>ENTER</b> button to enter the <b>User Color Temp</b> sub menu. See <a href="#">User Color Temp</a> on page 26
3D Setting	Press ◀ (Enter) / ▶ to enter the 3D menu. See page 27 for more information on <a href="#">3D Setting</a> .

**Note:**

To enjoy the 3D function, first enable the Play Movie in 3D setting found in your DVD device under the 3D Disc Menu.

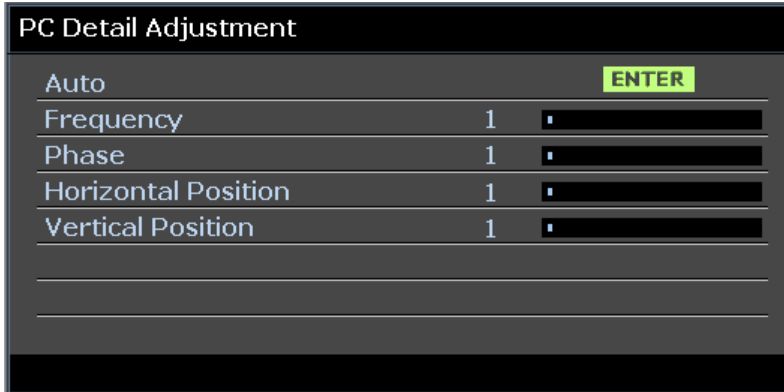


## PC Detail Adjustment

Press the **ENTER** button to enter the **PC Detail Adjustment** sub menu.

**Note:**

Customizing the settings in **PC Detail Adjustment** menu is only available when PC input source (analog RGB) is selected.



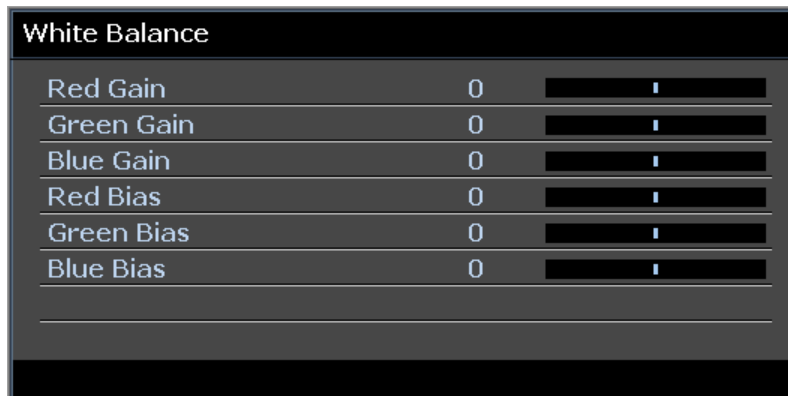
ITEM	DESCRIPTION
Auto	Press the <b>ENTER/AUTO</b> button on the control panel or the <b>ENTER/AUTO</b> button on the remote control to automatically adjust frequency, phase, and position.
Frequency	Press the ◀▶ buttons to adjust the A/D sampling number.
Phase	Press the ◀▶ buttons to adjust the A/D sampling clock.
Horizontal Position	Press the ◀▶ buttons to adjust the display position right or left.
Vertical Position	Press the ◀▶ buttons to adjust the display position up or down.

**Note:**

Some signals may take time to display or may not be displayed correctly.  
If the Auto Adjust operation cannot optimize the PC signal, try to adjust **FREQUENCY** and **PHASE** manually.

## White Balance

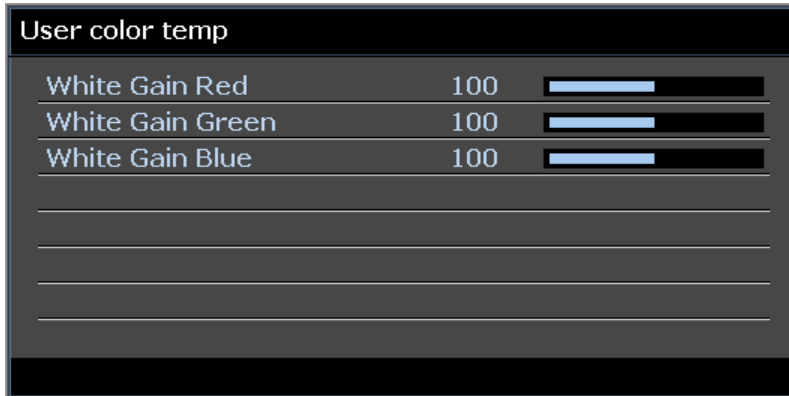
Press the **ENTER** button to enter the **White Balance** sub menu.



ITEM	DESCRIPTION
Red Gain	Press the ◀▶ buttons to adjust the Red Gain.
Green Gain	Press the ◀▶ buttons to adjust the Green Gain.
Blue Gain	Press the ◀▶ buttons to adjust the Blue Gain.
Red Bias	Press the ◀▶ buttons to adjust the Red Bias.
Green Bias	Press the ◀▶ buttons to adjust the Green Bias.
Blue Bias	Press the ◀▶ buttons to adjust the Blue Bias.

### User Color Temp

Press the **ENTER** button to enter the **User Color Temp** sub menu.



ITEM	DESCRIPTION
White Gain Red	Press the ◀▶ buttons to adjust the White Gain Red.
White Gain Green	Press the ◀▶ buttons to adjust the White Gain Green.
White Gain Blue	Press the ◀▶ buttons to adjust the White Gain Blue.

## 3D Setting



ITEM	DESCRIPTION
3D Mode	Press the ◀▶ buttons to enter and select different 3D mode.
3D Sync	Press the ◀▶ buttons to enter and enable or disable 3D Sync.
3D Sync Invert	Press the ◀▶ buttons to enter and enable or disable 3D Sync Invert.

**Note:**

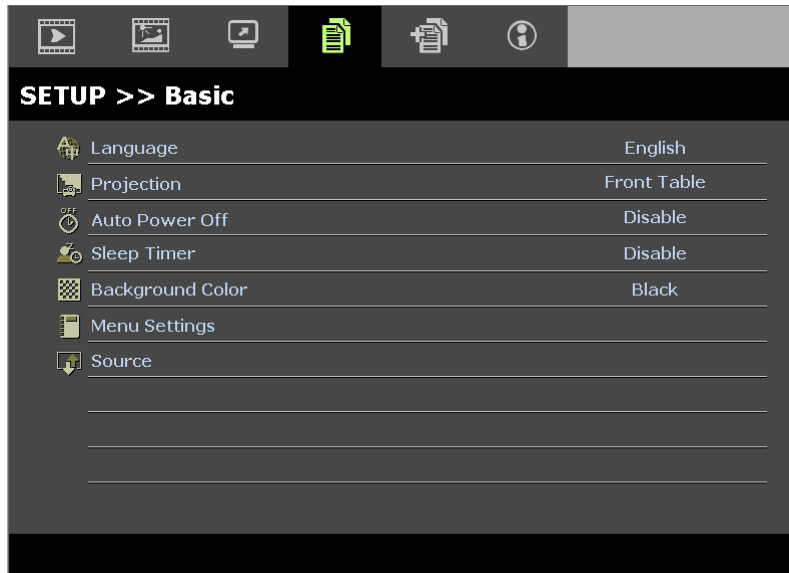
1. The 3D OSD menu item is gray if there is no appropriate 3D source. This is the default setting.
2. When the projector is connected to an appropriate 3D source, the 3D OSD menu item is enabled for selection.
3. Use 3D glasses to view a 3D image.
4. You need 3D content from a 3D DVD or 3D media file.
5. You need to enable the 3D source (some 3D DVD content may have a 3D on-off selection feature).
6. You need DLP link 3D or IR 3D shutter glasses. With IR 3D shutter glasses, you need to install a driver on your PC and connect a USB emitter.
7. The 3D mode of the OSD needs to match the type of glasses (DLP link or IR 3D).
8. Power on the glasses. Glasses normally have a power on -off switch. Each type of glasses has their own configuration instructions. Please follow the configuration instructions that come with your glasses to finish the setup process.

**Note:**

Since different types of glass (DLP link or IR shutter glass) have their own setting instructions, Please follow the guide to finish the setup process.

## SETUP>>Basic Menu

Press the **MENU** button to open the **OSD** menu. Press the cursor ◀▶ button to move to the **SETUP>>Basic** menu. Press the cursor ▲▼ button to move up and down in the **SETUP>>Basic** menu. Press ◀▶ to change values for settings.



ITEM	DESCRIPTION
Language	Press the cursor ◀▶ buttons to select a different localization menu.
Projection	Press the cursor ◀▶ buttons to choose from four projection methods.
Auto Power Off	Press the cursor ◀▶ buttons to set the Auto Power Off timer. The projector automatically turns off if no input source is detected after the preset period of time.
Sleep Timer	Press the cursor ◀▶ buttons to set Sleep timer. The projector automatically turns off after the preset period of time.
Background Color	Press the cursor ◀▶ buttons to select the background color when no input source is detected.
Menu Settings	Press the <b>ENTER</b> button to enter the <b>Menu Settings</b> sub menu. See <a href="#">Menu Settings</a> on page 29.
Source	Press the <b>ENTER</b> button to enter the <b>Source</b> sub menu. See <a href="#">Source</a> on page 29.

## Menu Settings

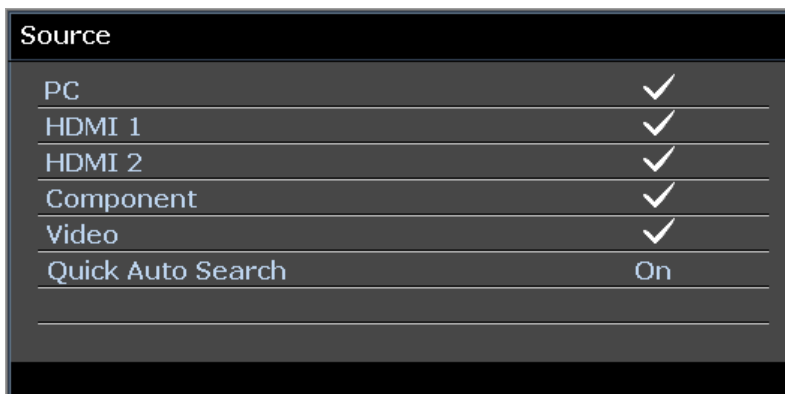
Press the **ENTER** button to enter the **Menu Settings** sub menu.



ITEM	DESCRIPTION
Menu Position	Press the ◀▶ buttons to select from five OSD locations.
Menu Display Time	Press the ◀▶ buttons to set the Menu Display timer before the OSD times out.

## Source

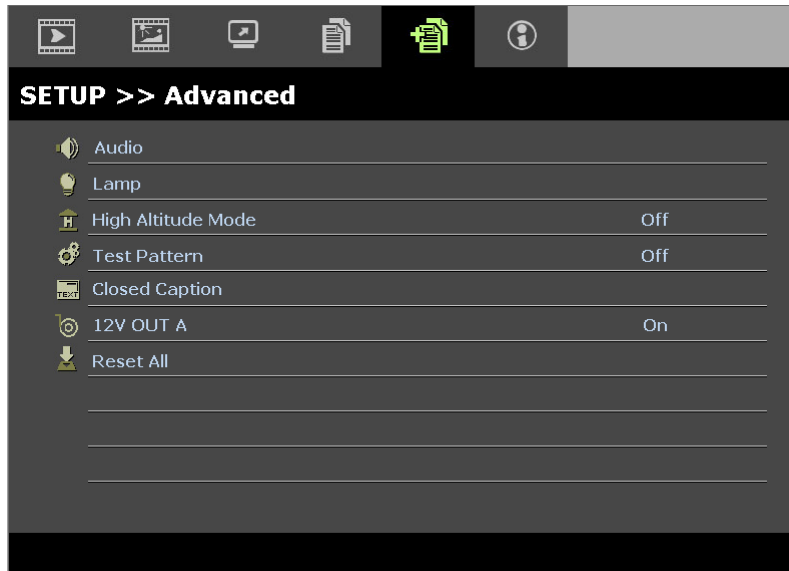
Press the **ENTER** button to enter the **Source** sub menu.



ITEM	DESCRIPTION
PC	Press the ◀▶ buttons to enable or disable the PC source.
HDMI 1	Press the ◀▶ buttons to enable or disable the HDMI source.
HDMI 2	Press the ◀▶ buttons to enable or disable the HDMI source.
Component	Press the ◀▶ buttons to enable or disable the Component source.
Video	Press the ◀▶ buttons to enable or disable the Video source.
Quick Auto Search	Press the ◀▶ buttons to enable or disable Quick Auto Search for available input source. <b>Notes:</b> When the desired source is selected, the Quick Auto Search function will be turn off.

## SETUP>>Advanced Menu

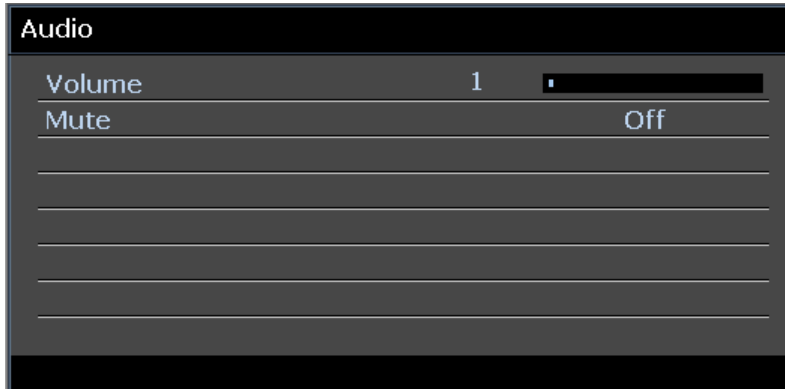
Press the **MENU** button to open the **OSD** menu. Press the cursor ◀▶ button to move to the **SETUP>>Advanced** menu. Press the cursor ▲▼ button to move up and down in the **SETUP>>Advanced** menu.



ITEM	DESCRIPTION
Audio	Press the <b>ENTER</b> button to enter the <b>Audio</b> sub menu. See <a href="#">Audio</a> on page 31.
Lamp	Press the <b>ENTER</b> button to enter the <b>Lamp</b> sub menu. See <a href="#">Lamp</a> on page 31.
High Altitude Mode	Press the cursor ◀▶ buttons to turn on or off High Altitude Mode. Recommended to turn on when the altitude of the environment is higher than 1500m (4921ft).
Test Pattern	Press the cursor ◀▶ buttons to select Test Pattern.
Closed Caption	Press the <b>ENTER</b> button to enter the <b>Closed Caption</b> sub menu. See <a href="#">Closed Caption</a> on page 32.
12V OUT A	Press the cursor ◀▶ buttons to adjust 12V OUT.
Reset All	Press the <b>ENTER</b> button to enter reset all settings to default values.

## Audio

Press the **ENTER** button to enter the **Audio** sub menu.



ITEM	DESCRIPTION
Volume	Press the ◀▶ buttons to adjust the audio Volume.
Mute	Press the ◀▶ buttons to turn on or off the speaker.

## Lamp

Press the **ENTER** button to enter the **Lamp** sub menu.

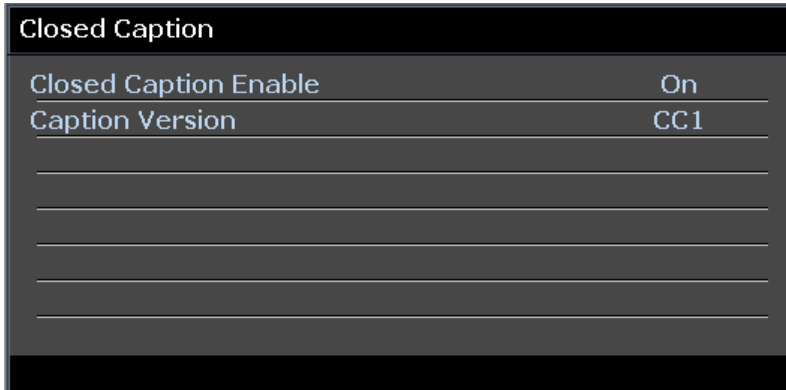


ITEM	DESCRIPTION
Lamp Mode	Press the ◀▶ buttons to adjust lamp brightness.
Reset Lamp Timer	Press the <b>ENTER</b> button to reset the Lamp Hour after the lamp is replaced.
Lamp Hour	Displays the number of hours the lamp has been in use.



## Closed Caption

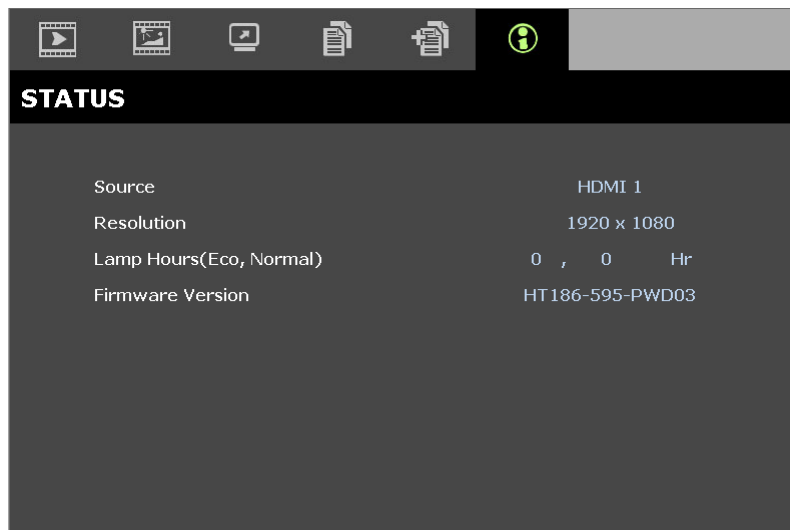
Press the **ENTER** button to enter the **Closed Caption** sub menu.



ITEM	DESCRIPTION
Closed Caption Enable	Press the ◀▶ buttons to turn on or off Closed Caption.
Caption Version	Press the ◀▶ buttons to select the Caption Version.

## STATUS Menu

Press the **MENU** button to open the **OSD** menu. Press the cursor ◀▶ button to move to the **STATUS Menu**.



ITEM	DESCRIPTION
Source	Displays the activated input source.
Resolution	Displays the native resolution of input source.
Lamp Hour s (ECO, Normal)	Displays the number of hours the lamp has been in use.
Firmware Version	Displays the firmware version of the projector.

**Note:**

Status displayed in this menu is for viewing only and cannot be edited.

## MAINTENANCE AND SECURITY

### Replacing the Projection Lamp

The projection lamp should be replaced when it burns out. It should only be replaced with a certified replacement part, which you can order from your local dealer.



**Important:**

- a. The projection lamp used in this product contains a small amount of mercury.
- b. Do not dispose this product with general household waste.
- c. Disposal of this product must be carried out in accordance with the regulations of your local authority.



**Warning:**

Be sure to turn off and unplug the projector at least 30 minutes before replacing the lamp. Failure to do so could result in a severe burn.



**Caution:**

In rare cases the lamp bulb may burn out during normal operation and cause glass dust or shards to be discharged outward from the rear exhaust vent.

Do not inhale or do not touch glass dust or shards. Doing so could result in injury.

Always keep your face away from the exhaust vent so that you do not suffer from the gas and broken shards of the lamp.

When removing the lamp from a ceiling-mounted projector, make sure that no one is under the projector. Glass fragments could fall if the lamp has been burned out.



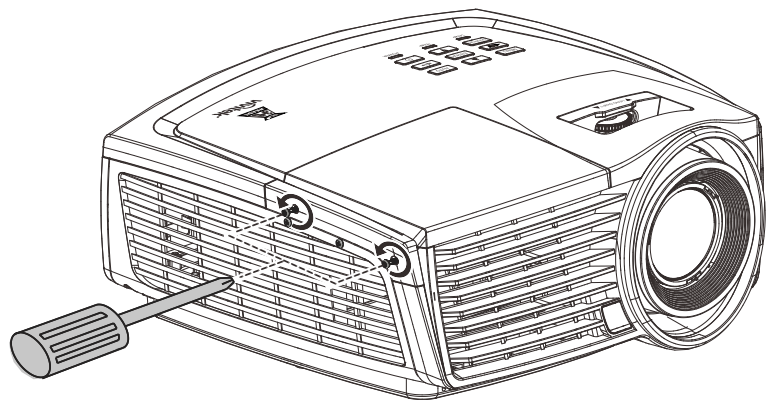
**IF A LAMP EXPLODES**

If a lamp explodes, the gas and broken shards may scatter inside the projector and they may come out of the exhaust vent. The gas contains toxic mercury.

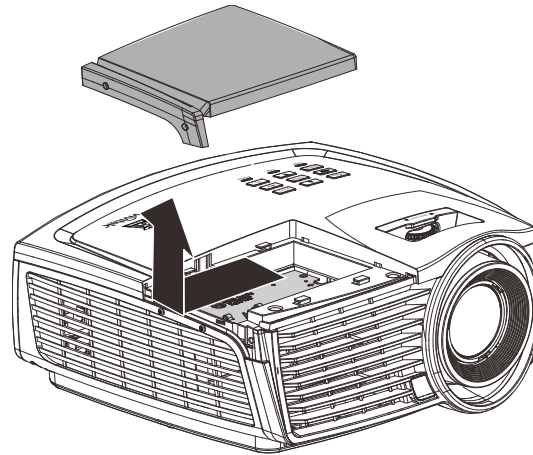
Open windows and doors for ventilation.

If you inhale the gas or the shards of the broken lamp enter your eyes or mouth, consult the doctor immediately.

1. Loosen the two screws on the lamp compartment cover.



2. Remove the lamp compartment cover.



3. Remove the three screws from the lamp module.

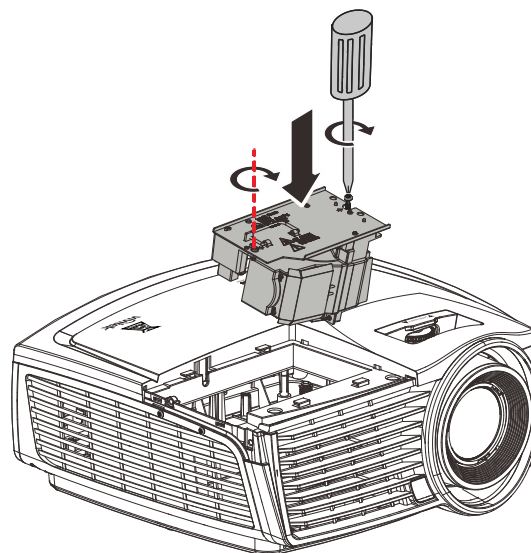
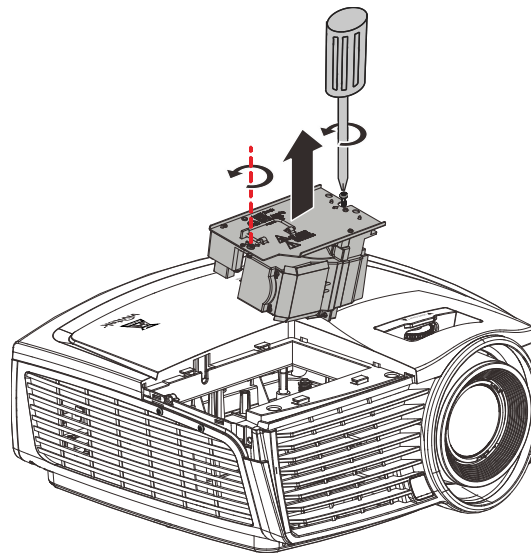
4. Lift the module handle up.

5. Pull firmly on the module handle to remove the lamp module.

6. Reverse steps 1 to 5 to install the new lamp module. While installing, align the lamp module with the connector and ensure it is level to avoid damage.

**Note:**

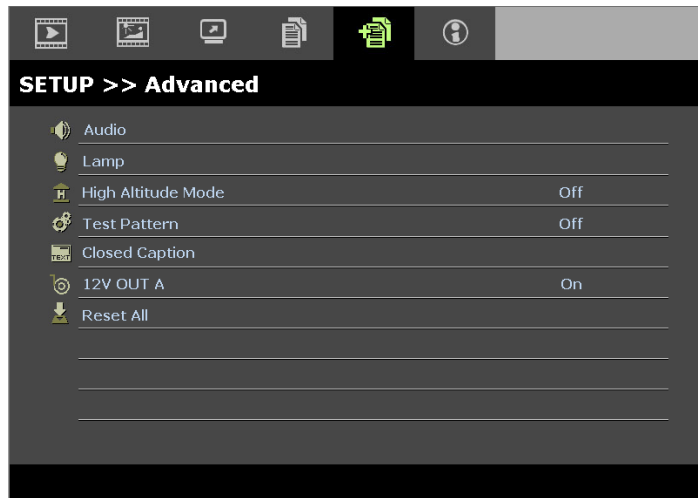
The lamp module must sit securely in place and the lamp connector must be connected properly before tightening the screws.



## Resetting the Lamp

After replacing the lamp, you should reset the lamp hour counter to zero. Refer to the following:

1. Press the **MENU** button to open the OSD menu.
2. Press the cursor **◀▶** button to move to the **SETUP : Advanced** menu. Press the cursor button to move down to **Lamp** and press enter.
3. Press the cursor **▼▲** button to move down to **Reset Lamp Timer**.
4. Press the **◀▶** buttons to adjust the settings.
5. Press the **MENU** button to get back to **SETUP : Advanced**.



## Cleaning the Projector

Cleaning the projector to remove dust and grime will help ensure trouble-free operation.



**Warning:**

1. Be sure to turn off and unplug the projector at least 30 minutes before cleaning. Failure to do so could result in a severe burn.
2. Use only a dampened cloth when cleaning. Do not allow water to enter the ventilation openings on the projector.
3. If a little water gets into the projector interior while cleaning, leave unplugged in a well-ventilated room for several hours before using.
4. If a lot of water gets into the projector interior when cleaning, have the projector serviced.

### Cleaning the Lens

You can purchase optic lens cleaner from most camera stores. Refer to the following to clean the projector lens.

1. Apply a little optic lens cleaner to a clean soft cloth. (Do not apply the cleaner directly to the lens.)
2. Lightly wipe the lens in a circular motion.



**Caution:**

1. Do not use abrasive cleaners or solvents.
2. To prevent discoloration or fading, avoid getting cleaner on the projector case.

### Cleaning the Case

Refer to the following to clean the projector case.

1. Wipe off dust with a clean dampened cloth.
2. Moisten the cloth with warm water and mild detergent (such as used to wash dishes), and then wipe the case.
3. Rinse all detergent from the cloth and wipe the projector again.



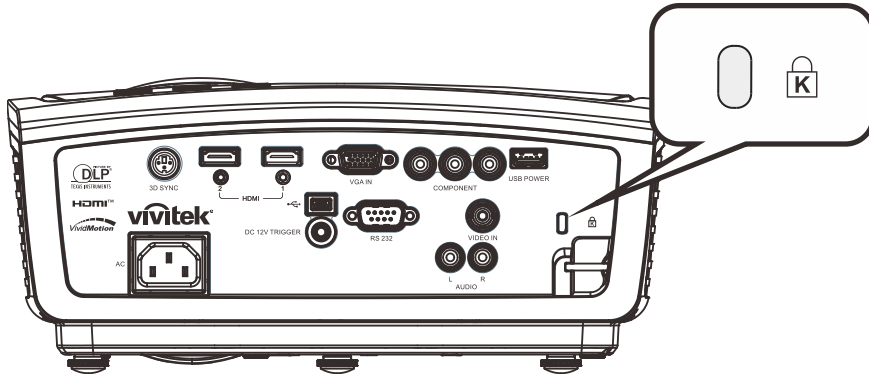
**Caution:**

To prevent discoloration or fading of the case, do not use abrasive alcohol-based cleaners.

## Using the Kensington® Lock & Using the Security Bar

### Using the Kensington® Lock

If you are concerned about security, attach the projector to a permanent object with the Kensington slot and a security cable.

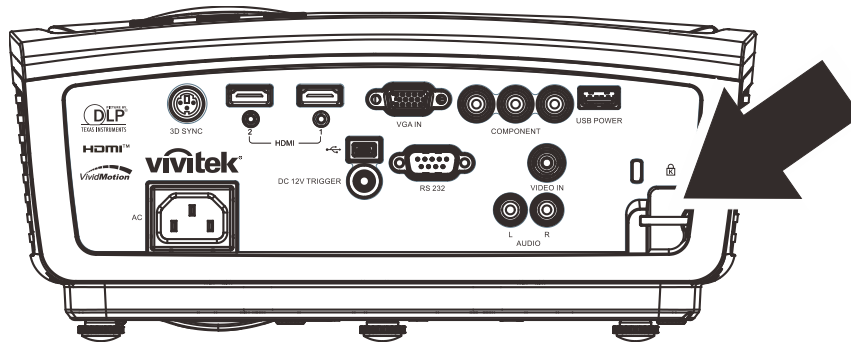


**Note:**

Contact your vendor for details on purchasing a suitable Kensington security cable. The security lock corresponds to Kensington's MicroSaver Security System. If you have any comment, contact: Kensington, 2853 Campus Drive, San Mateo, CA 94403, U.S.A. Tel: 800-535-4242, <http://www.Kensington.com>.

### Using the Security Bar

In addition to the password protection function and the Kensington lock, the Security Bar helps protect the projector from unauthorized removal. See the following picture.



## TROUBLESHOOTING

### Common problems and solutions

These guidelines provide tips to deal with problems you may encounter while using the projector. If the problem remains unsolved, contact your dealer for assistance.

Often after time spent troubleshooting, the problem is traced to something as simple as a loose connection. Check the following before proceeding to the problem-specific solutions.

- *Use some other electrical device to confirm that the electrical outlet is working.*
- *Ensure the projector is turned on.*
- *Ensure all connections are securely attached.*
- *Ensure the attached device is turned on.*
- *Ensure a connected PC is not in suspending mode.*
- *Ensure a connected notebook computer is configured for an external display.  
(This is usually done by pressing an Fn-key combination on the notebook.)*

### Tips for Troubleshooting

In each problem-specific section, try the steps in the order suggested. This may help you to solve the problem more quickly.

Try to pin point the problem and thus avoid replacing non-defective parts.

For example, if you replace batteries and the problem remains, put the original batteries back and go to the next step.

Keep a record of the steps you take when troubleshooting: The information may be useful when calling for technical support or for passing on to service personnel.



## LED Error Messages

ERROR CODE MESSAGES	POWER LED GREEN	LAMP LED RED	TEMP LED RED
System Initial	Flashing	OFF	OFF
Ready to Power on (Standby)	ON	OFF	OFF
System Power on	Flashing	OFF	OFF
Lamp Lit , System stable	ON	OFF	OFF
Cooling	Flashing	OFF	OFF
1W MCU detects scaler stops working (initial fail)	2 Flashing	OFF	OFF
Over Temperature	OFF	OFF	ON
Thermal Break Sensor error	4 Flashing	OFF	OFF
Lamp Fail	5 Flashing	0 Flashing	OFF
Lamp Temperature shut down	5 Flashing	1 Flashing	OFF
Lamp Short circuit in output detected	5 Flashing	2 Flashing	OFF
Lamp End of lamp life detected	5 Flashing	3 Flashing	OFF
Lamp did not ignite	5 Flashing	4 Flashing	OFF
Lamp extinguished during normal operation	5 Flashing	5 Flashing	OFF
Lamp extinguished during run-up phase	5 Flashing	6 Flashing	OFF
Lamp voltage got error	5 Flashing	7 Flashing	OFF
Lamp ballast got error	5 Flashing	8 Flashing	OFF
Lamp ballast Communication error	5 Flashing	10 Flashing	OFF
Fan-1 error	6 Flashing	1 Flashing	OFF
Fan-2 error	6 Flashing	2 Flashing	OFF
Fan-3 error	6 Flashing	3 Flashing	OFF
Case Open	7 Flashing	OFF	OFF
DAD1000 error	8 Flashing	OFF	OFF
Color wheel error	9 Flashing	OFF	OFF

In the event of an error, please disconnect the AC power cord and wait for one (1) minute before restarting the projector. If the Power or Lamp LEDs are still blinking or any other situation that isn't listed in the chart above, please contact your service center.

## Image Problems

### ***Problem: No image appears on the screen***

1. Verify the settings on your notebook or desktop PC.
2. Turn off all equipment and power up again in the correct order.

### ***Problem: The image is blurred***

1. Adjust the **Focus** on the projector.
2. Press the **Auto** button on the remote control.
3. Ensure the projector-to-screen distance is within the specified range.
4. Check that the projector lens is clean.

### ***Problem: The image is wider at the top or bottom (trapezoid effect)***

1. Position the projector so it is as perpendicular to the screen as possible.
2. Use the **Keystone** button on the remote control to correct the problem.

***Problem: The image is reversed***

Check the **Projection** setting on the **SYSTEM SETUP >> Basic > Projection** menu of the OSD.

***Problem: The image is streaked***

1. Set the **Frequency** and **Phase** settings on the **PC Detail Adjustment** menu of the OSD to the default settings.
2. To ensure the problem is not caused by a connected PC's video card, connect to another computer.

***Problem: The image is flat with no contrast***

Adjust the **Contrast** setting on the **PICTURE >> Basic** menu of the OSD.

***Problem: The color of the projected image does not match the source image.***

Adjust the **Color Temperature** and **Gamma** settings on the **PICTURE >> Advanced** menu of the OSD.

## Lamp Problems

***Problem: There is no light from the projector***

1. Check that the power cable is securely connected.
2. Ensure the power source is good by testing with another electrical device.
3. Restart the projector in the correct order and check that the Power LED is on.
4. If you have replaced the lamp recently, try resetting the lamp connections.
5. Replace the lamp module.
6. Put the old lamp back in the projector and have the projector serviced.

***Problem: The lamp goes off***

1. Power surges can cause the lamp to turn off. Re-plug power cord. When the Power LED is on, press the power button.
2. Replace the lamp module.
3. Put the old lamp back in the projector and have the projector serviced.

## Remote Control Problems

***Problem: The projector does not respond to the remote control***

1. Direct the remote control towards remote sensor on the projector.
2. Ensure the path between remote and sensor is not obstructed.
3. Turn off any fluorescent lights in the room.
4. Check the battery polarity.
5. Replace the battery.
6. Turn off other Infrared-enabled devices in the vicinity.
7. Have the remote control serviced.

## Audio Problems

***Problem: There is no sound***

1. Adjust the volume on the remote control.
2. Adjust the volume of the audio source.
3. Check the audio cable connection.
4. Test the source audio output with other speakers.

5. Have the projector serviced.

***Problem: The sound is distorted***

1. Check the audio cable connection.
2. Test the source audio output with other speakers.
3. Have the projector serviced.

## **Having the Projector Serviced**

If you are unable to solve the problem, you should have the projector serviced. Pack the projector in the original carton. Include a description of the problem and a checklist of the steps you took when trying to fix the problem: The information may be useful to service personnel. For servicing, return the projector to the place you purchased it.

## **HDMI Q & A**

***Q. What is the difference between a “Standard” HDMI cable and a “High-Speed” HDMI cable?***

Recently, HDMI Licensing, LLC announced that cables would be tested as Standard or High-Speed cables.

Standard (or “category 1”) HDMI cables have been tested to perform at speeds of 75Mhz or up to 2.25Gbps, which is the equivalent of a 720p/1080i signal.

High Speed (or “category 2”) HDMI cables have been tested to perform at speeds of 340Mhz or up to 10.2Gbps, which is the highest bandwidth currently available over an HDMI cable and can successfully handle 1080p signals including those at increased color depths and/or increased refresh rates from the Source. High-Speed cables are also able to accommodate higher resolution displays, such as WQXGA cinema monitors (resolution of 2560 x 1600).

***Q. How do I run HDMI cables longer than 10 meters?***

There are many HDMI Adopters working on HDMI solutions that extend a cable's effective distance from the typical 10 meter range to much longer lengths. These companies manufacture a variety of solutions that include active cables (active electronics built into cables that boost and extend the cable's signal), repeaters, amplifiers as well as CAT5/6 and fiber solutions.

***Q. How can I tell if a cable is an HDMI certified cable?***

All HDMI products are required to be certified by the manufacturer as part of the HDMI Compliance Test Specification. However, there may be instances where cables bearing the HDMI logo are available but have not been properly tested. HDMI Licensing, LLC actively investigates these instances to ensure that the HDMI trademark is properly used in the market. We recommend that consumers buy their cables from a reputable source and a company that is trusted.

For more detail information check <http://www.hdmi.org/learningcenter/faq.aspx#49>

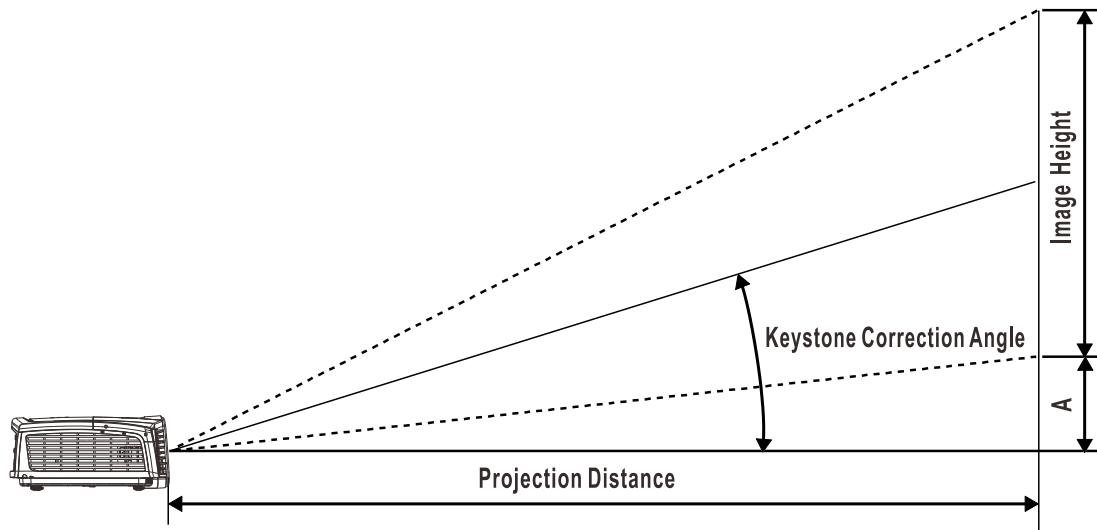
## SPECIFICATIONS

### Specifications

Model	H1188 series
Display Type	TI DMD 0.65" 1080p
Resolution	1080p 1920x1080
Projection Distance	1.2 ~ 10 m
Projection Screen Size	25.9" ~ 324.97"
Projection Lens	Manual Focus/Manual Zoom
Zoom Ratio	1.5x with lens shift
Vertical Keystone Correction	+/- 40 Degree
Projection Methods	Front, Rear, Desktop/Ceiling (Rear, Front)
Data Compatibility	VGA, SVGA, XGA, WXGA, SXGA, SXGA+, UXGA, WUXGA, Mac
Sdtv/Edtv/ Hdtv	480i, 480p, 576i, 576p, 720p, 1080i, 1080p
Video Compatibility	NTSC, PAL, SECAM
H-Sync	2D: 15, 30~91.4KHz / 3D: 101.6KHz
V-Sync	24~30Hz, 47~120Hz
Safety Certification	FCC-B, cUL, UL, CE, C-tick, CCC, KC, CU, NOM
Operation Temperature	5° ~ 35°C
Dimensions	286.3 mm (W) x 272.2 mm (D) x 128.1 mm (H)
Ac Input	AC Universal 100-240V
Power Consumption	350W (Normal), 290W (ECO), <0.5W (Standby)
Lamp	260W (Normal) / 205W (ECO)
Audio Speaker	10W mono speaker
Input Terminals	VGA x 1
	Component (YPbPr RCAx3) x 1
	Composite x 1
	HDMI x 2
	RCA Stereo Audio LR x 1
Control Terminals	RS-232C
	3D sync
	Screen trigger: DC Jack x 1 (DC12V 200mA output function)
	USB (Type mini B) - service only
	USB (type A) support DC 5V
Security	Kensington lock / Security Bar

**Note:** For questions regarding product specifications, please contact your local distributor.

## Projection Distance vs. Projection Size



*Projection Distance and Size Table*

H1188									
IMAGE DIAGONAL	IMAGE WIDTH		IMAGE HEIGHT		PROJECTION DISTANCE FROM		PROJECTION DISTANCE TO		OFFSET-A
	(INCH)	(CM)	(INCH)	(CM)	(INCH)	(CM)	(INCH)	(CM)	
60	52.3	132.8	29.4	74.7	72.7	184.6	109.3	277.6	112.1
70	61.0	155.0	34.3	87.2	84.8	215.4	127.5	323.9	130.8
72	62.8	159.4	35.3	89.7	87.2	221.6	131.2	333.1	134.5
80	69.7	177.1	39.2	99.6	96.9	246.2	145.7	370.1	149.4
84	73.2	186.0	41.2	104.6	101.8	258.5	153.0	388.7	156.9
90	78.4	199.2	44.1	112.1	109.0	276.9	163.9	416.4	168.1
96	83.7	212.5	47.1	119.5	116.3	295.4	174.9	444.2	179.3
100	87.2	221.4	49.0	124.5	121.1	307.7	182.2	462.7	186.8
120	104.6	265.7	58.8	149.4	145.4	369.3	218.6	555.2	224.1
135	117.7	298.9	66.2	168.1	163.6	415.4	245.9	624.6	252.2
150	130.7	332.1	73.5	186.8	181.7	461.6	273.2	694.0	280.2
200	174.3	442.8	98.1	249.1	242.3	615.4	364.3	925.4	373.6

**Timing Mode Table**

SIGNAL	RESOLUTION	H-SYNC ( KHz )	V-SYNC ( Hz )	COMPOSITE S_VIDEO	COMPONENT	RGB (ANALOG)	HDMI (DIGITAL)
NTSC	—	15.734	60	○	—	—	—
PAL/SECAM	—	15.625	50	○	—	—	—
VESA	640 x 400	37.9	85.08	—	—	○	○
	720 x 400	31.5	70.1	—	—	○	○
	720 x 400	37.9	85.04	—	—	○	○
	640 x 480	31.5	60	—	—	○	○
	640 x 480	37.9	72.8	—	—	○	○
	640 x 480	37.5	75	—	—	○	○
	640 x 480	43.3	85	—	—	○	○
	800 x 600	35.2	56.3	—	—	○	○
	800 x 600	37.9	60.3	—	—	○	○
	800 x 600	46.9	75	—	—	○	○
	800 x 600	48.1	72.2	—	—	○	○
	800 x 600	53.7	85.1	—	—	○	○
	800 x 600	76.3	120	—	—	○	○
	1024 x 576	35.8	60	—	—	○	○
	1024 x 600	37.3	60	—	—	○	○
	1024 x 600	41.5	65	—	—	○	○
	1024 x 768	48.4	60	—	—	○	○
	1024 x 768	56.5	70.1	—	—	○	○
	1024 x 768	60	75	—	—	○	○
	1024 x 768	68.7	85	—	—	○	○
	1024 x 768	97.6	120	—	—	○	○
	1024 x 768	99	120	—	—	○	○
	1152 x 864	67.5	75	—	—	○	○
	1280 x 720	45	60	—	—	○	○
	1280 x 720	90	120	—	—	○	○
	1280 x 768	47.4	60	—	—	○	○
	1280 x 768	47.8	59.9	—	—	○	○
	1280 x 800	49.7	59.8	—	—	○	○
	1280 x 800	62.8	74.9	—	—	○	○
	1280 x 800	71.6	84.9	—	—	○	○
	1280 x 800	101.6	119.9	—	—	○	○
	1280 x 1024	64	60	—	—	○	○
1280 x 1024	80	75	—	—	○	○	
1280 x 1024	91.1	85	—	—	○	○	

SIGNAL	RESOLUTION	H-SYNC ( KHz )	V-SYNC ( Hz )	COMPOSITE S_VIDEO	COMPONENT	RGB (ANALOG)	HDMI (DIGITAL)
	1280 x 960	60	60	—	—	○	○
	1280 x 960	85.9	85	—	—	○	○
	1360 x 768	47.7	60	—	—	○	○
	1400 x 1050	65.3	60	—	—	○	○
	1440 x 900	55.5	59.9	—	—	○	○
	1440 x 900	55.9	59.9	—	—	○	○
	1440 x 900	70.6	75	—	—	○	○
	1600 x 1200	75	60	—	—	○	○
	1680 x 1050	64.7	59.9	—	—	○	○
	1680 x 1050	65.3	60	—	—	○	○
	1920 x 1200	74	60	—	—	○	○
1920 x 1080	67.5	60	—	—	○	○	
Apple Macintosh	640 x 480	35	66.7	—	—	○	○
	832 x 624	49.7	74.5	—	—	○	○
	1024 x 768	60.2	74.9	—	—	○	○
	1152 x 870	68.7	75.1	—	—	○	○
SDTV	480i	15.734	60	—	○	—	○
	576i	15.625	50	—	○	—	○
EDTV	576p	31.3	50	—	○	—	○
	480p	31.5	60	—	○	—	○
HDTV	720p	37.5	50	—	○	—	○
	720p	45	60	—	○	—	○
	1080i	33.8	60	—	○	—	○
	1080i	28.1	50	—	○	—	○
	1080p	27	24	—	○	—	○
	1080p	28	25	—	○	—	○
	1080p	33.7	30	—	○	—	○
	1080p	56.3	50	—	○	—	○
	1080p	67.5	60	—	○	—	○

○ : Frequency supported

— : Frequency not supported

★The native resolution of the panel is 1920x1080

Resolution others than native resolution may be display with uneven size of text or line

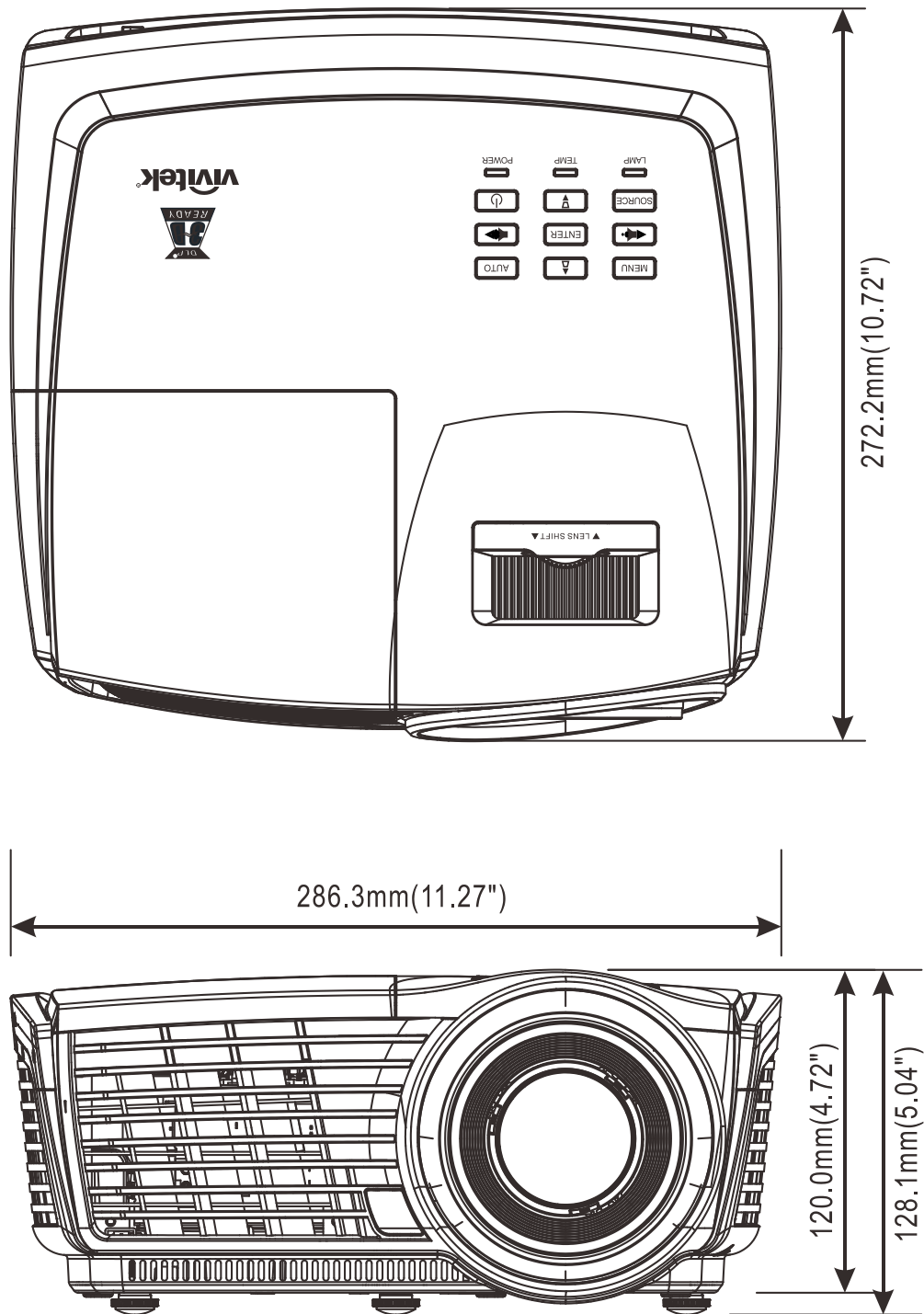
★The color of      mean Displayable only. (4:3 only)

★The color of      mean may have a little noise is acceptable

★HDTV timing main check tool is DVD player, VG828 is secondary



## Projector Dimensions



## **REGULATORY COMPLIANCE**

### **FCC Warning**

This equipment has been tested and found to comply with the limits for a Class B digital device pursuant to Part 15 of the FCC Rules. These limits are designed to provide reasonable protection against harmful interference when the equipment is operated in a commercial environment.

This equipment generates, uses, and can radiate radio frequency energy and, if not installed and used in accordance with the instruction manual, may cause harmful interference to radio communications. Operation of this equipment in a residential area is likely to cause harmful interference in which case the user will be required to correct the interference at his/her own expense.

Changes or modifications not expressly approved by the parties responsible for compliance could void the user's authority to operate the equipment.

### **Canada**

This class B digital apparatus complies with Canadian ICES-003.

### **Safety Certifications**

FCC-B, cUL, UL, CE, C-tick, CCC, KC, CU, NOM

**RS-232C Protocol**

*RS232 Setting*

Baud rate:	<b>9600</b>
Parity check:	<b>None</b>
Data bit:	<b>8</b>
Stop bit:	<b>1</b>
Flow Control	<b>None</b>

Minimum delay for next command: **1ms**

*Control Command Structure*

	Header code	Command code	Data code	End code
<b>HEX</b>		<b>Command</b>	<b>Data</b>	<b>0Dh</b>
<b>ASCII</b>	' <b>V</b> '	<b>Command</b>	<b>Data</b>	<b>CR</b>

*Operation Command*

*Note:*  
 "CR" mean Carriage Return  
 XX=00-98, projector's ID, XX=99 is for all projectors  
 Return Result P=Pass / F=Fail  
 n: 0:Disable/1: Enable/Value(0~9999)

<b>Command Group 00</b>				
<b>ASCII</b>	<b>HEX</b>	<b>Function</b>	<b>Description</b>	<b>Return Result</b>
VXXS0001	56h Xh Xh 53h 30h 30h 30h 31h 0Dh	Power On		P/F
VXXS0002	56h Xh Xh 53h 30h 30h 30h 32h 0Dh	Power Off		P/F
VXXS0003	56h Xh Xh 53h 30h 30h 30h 33h 0Dh	Resync		P/F
VXXG0004	56h Xh Xh 47h 30h 30h 30h 34h 0Dh	Get Lamp Hours		Pn/F
VXXS0005n	56h Xh Xh 53h 30h 30h 30h 35h nh 0Dh	Set Air filter timer	n=0~999999	P/F
VXXG0005	56h Xh Xh 47h 30h 30h 30h 35h 0Dh	Get Air filter timer	n=0~999999	Pn/F
VXXS0006	56h Xh Xh 53h 30h 30h 30h 36h 0Dh	System Reset		P/F
VXXG0007	56h Xh Xh 47h 30h 30h 30h 37h 0Dh	Get System Status	0: Reset 1:Standby 2:Operation 3:Cooling	Pn/F
VXXG0008	56h Xh Xh 47h 30h 30h 30h 38h 0Dh	Get F/W Version		Pn/F
VXXG0009	56h Xh Xh 47h 30h 30h 30h 39h 0Dh	Get Alter EMail		Pn/F
VXXS0009n	56h Xh Xh 53h 30h 30h 30h 39h nh 0Dh	Set Alter Email	<a href="#">n=xxxxxx@xxxx.xx.xx</a>	P/F

Command Group 01				
ASCII	HEX	Function	Description	Return Value
VXXG0101	56h Xh Xh 47h 30h 31h 30h 31h 0Dh	Get Brightness	n=0~100	Pn/F
VXXS0101n	56h Xh Xh 53h 30h 31h 30h 31h nh 0Dh	Set Brightness	n=0~100	P/F
VXXG0102	56h Xh Xh 47h 30h 31h 30h 32h 0Dh	Get Contrast	n=0~100	Pn/F
VXXS0102n	56h Xh Xh 53h 30h 31h 30h 32h nh 0Dh	Set Contrast	n=0~100	P/F
VXXG0103	56h Xh Xh 47h 30h 31h 30h 33h 0Dh	Get Color	n=0~100	Pn/F
VXXS0103n	56h Xh Xh 53h 30h 31h 30h 33h nh 0Dh	Set Color	n=0~100	P/F
VXXG0104	56h Xh Xh 47h 30h 31h 30h 34h 0Dh	Get Tint	n=0~100	Pn/F
VXXS0104n	56h Xh Xh 53h 30h 31h 30h 34h nh 0Dh	Set Tint	n=0~100	P/F
VXXG0105	56h Xh Xh 47h 30h 31h 30h 35h 0Dh	Get Sharpness	0~31	Pn/F
VXXS0105n	56h Xh Xh 53h 30h 31h 30h 35h nh 0Dh	Set Sharpness	0~31	P/F
VXXG0106	56h Xh Xh 47h 30h 31h 30h 36h 0Dh	Get Color Temperature	0:Warm 1:Normal 2:Cold	Pn/F
VXXS0106n	56h Xh Xh 53h 30h 31h 30h 36h nh 0Dh	Set Color Temperature	0:Warm 1:Normal 2:Cold	P/F
VXXG0107	56h Xh Xh 47h 30h 31h 30h 37h 0Dh	Get Gamma	0:1.8 1:2.0 2:2.2 3:2.4 4:B&W 5:Linear	Pn/F
VXXS0107n	56h Xh Xh 53h 30h 31h 30h 37h nh 0Dh	Set Gamma	0:1.8 1:2.0 2:2.2 3:2.4 4:B&W 5:Linear	P/F
VXXG0108	56h Xh Xh 47h 30h 31h 30h 38h 0Dh	Get Display Mode	0: Presentation 1:Bright 2:Game 3:Movie 4:TV 5:sRGB 6:BlackBoard 7:User	Pn/F
VXXS0108n	56h Xh Xh 53h 30h 31h 30h 38h nh 0Dh	Set Display Mode	0: Presentation 1:Bright 2:Game 3:Movie 4:TV 5:sRGB 6:BlackBoard 7:User	P/F

Command Group 02				
ASCII	HEX	Function	Description	Return Value
VXXS0201	56h Xh Xh 53h 30h 32h 30h 31h 0Dh	Select RGB		P/F
VXXS0202	56h Xh Xh 53h 30h 32h 30h 32h 0Dh	Select RGB2		P/F
VXXS0203	56h Xh Xh 53h 30h 32h 30h 33h 0Dh	Select DVI		P/F
VXXS0204	56h Xh Xh 53h 30h 32h 30h 34h 0Dh	Select Video		P/F

Command Group 02				
ASCII	HEX	Function	Description	Return Value
VXXS0205	56h Xh Xh 53h 30h 32h 30h 35h 0Dh	Select S-Video		P/F
VXXS0206	56h Xh Xh 53h 30h 32h 30h 36h 0Dh	Select HDMI		P/F
VXXS0207	56h Xh Xh 53h 30h 32h 30h 37h 0Dh	Select BNC		P/F
VXXS0208	56h Xh Xh 53h 30h 32h 30h 38h 0Dh	Select Component		P/F
VXXS0209	56h Xh Xh 53h 30h 32h 30h 39h 0Dh	Select HDMI 2(MEDIA)		P/F
VXXS0210	56h Xh Xh 53h 30h 32h 31h 30h 0Dh	Select HDMI 3		P/F
VXXG0220	56h Xh Xh 47h 30h 32h 32h 30h 0Dh	Get Current Source	Return 1:RGB 2:RGB2 3:DVI 4:Video 5:S-Video 6:HDMI 7:BNC 8:Component 9:HDMI 2(MEDIA) 10:HDMI 3	Pn/F

Command Group 03				
ASCII	HEX	Function	Description	Return Value
VXXG0301	56h Xh Xh 47h 30h 33h 30h 31h 0Dh	Get Scaling	0: Fill 1: 4:3 2: 16:9 3: Letter Box 4: Native 5: 2.35:1	Pn/F
VXXS0301n	56h Xh Xh 53h 30h 33h 30h 31h nh 0Dh	Set Scaling	0: Fill 1: 4:3 2: 16:9 3: Letter Box 4: Native 5: 2.35:1	P/F
VXXG0302	56h Xh Xh 47h 30h 33h 30h 32h 0Dh	Blank		Pn/F
VXXS0302n	56h Xh Xh 53h 30h 33h 30h 32h nh 0Dh	Blank		P/F
VXXG0303	56h Xh Xh 47h 30h 33h 30h 33h 0Dh	Auto Keystone On		Pn/F
VXXS0303n	56h Xh Xh 53h 30h 33h 30h 33h nh 0Dh	Auto Keystone On		P/F
VXXG0304	56h Xh Xh 47h 30h 33h 30h 34h 0Dh	Freeze On		Pn/F
VXXS0304n	56h Xh Xh 53h 30h 33h 30h 34h nh 0Dh	Freeze On		P/F
VXXG0305	56h Xh Xh 47h 30h 33h 30h 35h 0Dh	Volume	n=0~30	Pn/F
VXXS0305n	56h Xh Xh 53h 30h 33h 30h 35h nh 0Dh	Volume	n=0~30	P/F
VXXG0306	56h Xh Xh 47h 30h 33h 30h 36h 0Dh	Treble	n=0~16	Pn/F
VXXS0306n	56h Xh Xh 53h 30h 33h 30h 36h nh 0Dh	Treble	n=0~16	P/F
VXXG0307	56h Xh Xh 47h 30h 33h 30h 37h 0Dh	Bass	n=0~16	Pn/F
VXXS0307n	56h Xh Xh 53h 30h 33h 30h 37h nh 0Dh	Bass	n=0~16	P/F
VXXG0308	56h Xh Xh 47h 30h 33h 30h 38h 0Dh	Projection Mode	0:Front 1:Rear 2: Ceiling 3: Rear+Ceiling	Pn/F

Command Group 03				
ASCII	HEX	Function	Description	Return Value
VXXS0308n	56h Xh Xh 53h 30h 33h 30h 38h nh 0Dh	Projection Mode	0:Front 1:Rear 2: Ceiling 3: Rear+Ceiling	P/F
VXXG0309	56h Xh Xh 47h 30h 33h 30h 39h 0Dh	Set vertical keystone value	n=-40~+40	Pn/F
VXXS0309n	56h Xh Xh 53h 30h 33h 30h 39h nh 0Dh	Set vertical keystone value	n=-40~+40	P/F
VXXG0310	56h Xh Xh 47h 30h 33h 31h 30h 0Dh	Set horizontal keystone value	n=-20~+20	Pn/F
VXXS0310n	56h Xh Xh 53h 30h 33h 31h 30h nh 0Dh	Set horizontal keystone value	n=-20~+20	P/F
VXXG0311	56h Xh Xh 47h 30h 33h 31h 31h 0Dh	Adjust the zoom	n=-10~+10	Pn/F
VXXS0311n	56h Xh Xh 53h 30h 33h 31h 31h nh 0Dh	Adjust the zoom	n=-10~+10	P/F
VXXG0312	56h Xh Xh 47h 30h 33h 31h 32h 0Dh	Adjust the focus	n=-20~+20	Pn/F
VXXS0312n	56h Xh Xh 53h 30h 33h 31h 32h nh 0Dh	Adjust the focus	n=-20~+20	P/F
VXXG0313	56h Xh Xh 47h 30h 33h 31h 33h 0Dh	Adjust the vertical lens shift	n=-20~+20	Pn/F
VXXS0313n	56h Xh Xh 53h 30h 33h 31h 33h nh 0Dh	Adjust the vertical lens shift	n=-20~+20	P/F
VXXG0314	56h Xh Xh 47h 30h 33h 31h 34h 0Dh	Adjust the horizontal lens shift	n=-20~+20	Pn/F
VXXS0314n	56h Xh Xh 53h 30h 33h 31h 34h nh 0Dh	Adjust the horizontal lens shift	n=-20~+20	P/F
VXXG0315	56h Xh Xh 47h 30h 33h 31h 35h 0Dh	Adjust the 3D Mode	n= 0~2	Pn/F
VXXS0315n	56h Xh Xh 53h 30h 33h 31h 35h nh 0Dh	Adjust the 3D Mode	0:Off 1:DLP 2: IR	P/F
VXXG0316	56h Xh Xh 47h 30h 33h 31h 36h 0Dh	Adjust the 3D sync inverter	n= 0~1	Pn/F
VXXS0316n	56h Xh Xh 53h 30h 33h 31h 36h nh 0Dh	Adjust the 3D sync inverter	0:Off 1:On	P/F
VXXG0317	56h Xh Xh 53h 30h 33h 31h 37h 0Dh	Adjust the 3D format	n= 0~3	P/F
VXXS0317n	56h Xh Xh 47h 30h 33h 31h 37h nh 0Dh	Adjust the 3D format	0:FS 1:TB 2:SBS 3:FP	Pn/F
VXXG0319	56h Xh Xh 47h 30h 33h 31h 39h 0Dh	Adjust the Lamp mode	n= 0~2	Pn/F
VXXS0319n	56h Xh Xh 53h 30h 33h 31h 39h nh 0Dh	Adjust the Lamp mode	0:Eco 1:Normal 2:Dynamic	P/F
VXXG0322	56h Xh Xh 47h 30h 33h 32h 32h 0Dh	Get Fan Speed	n= 0~1	Pn/F
VXXS0322n	56h Xh Xh 53h 30h 33h 32h 32h nh 0Dh	Set Fan Speed	0:Normal 1:High Speed	P/F
VXXG0331	56h Xh Xh 47h 30h 33h 33h 31h 0Dh	Get the R gain	n= 0~200	Pn/F
VXXS0331n	56h Xh Xh 53h 30h 33h 33h 31h nh 0Dh	Set the R gain	n= 0~200	P/F
VXXG0332	56h Xh Xh 47h 30h 33h 33h 32h 0Dh	Get the G gain	n= 0~200	Pn/F
VXXS0332n	56h Xh Xh 53h 30h 33h 33h 32h nh 0Dh	Set the G gain	n= 0~200	P/F
VXXG0333	56h Xh Xh 47h 30h 33h 33h 33h 0Dh	Get the B gain	n= 0~200	Pn/F
VXXS0333n	56h Xh Xh 53h 30h 33h 33h 33h nh 0Dh	Set the B gain	n= 0~200	P/F

Command Group 03				
ASCII	HEX	Function	Description	Return Value
VXXG0334	56h Xh Xh 53h 30h 33h 31h 37h 0Dh	Get the R offset	n= -100~100	P/F
VXXS0334n	56h Xh Xh 47h 30h 33h 31h 37h nh 0Dh	Set the R offset	n= -100~100	Pn/F
VXXG0335	56h Xh Xh 47h 30h 33h 31h 39h 0Dh	Get the G offset	n= -100~100	Pn/F
VXXS0335n	56h Xh Xh 53h 30h 33h 31h 39h nh 0Dh	Set the G offset	n= -100~100	P/F
VXXG0336	56h Xh Xh 47h 30h 33h 32h 32h 0Dh	Get the B offset	n= -100~100	Pn/F
VXXS0336n	56h Xh Xh 53h 30h 33h 32h 32h nh 0Dh	Set the B offset	n= -100~100	P/F
VXXG0337	56h Xh Xh 47h 30h 33h 33h 37h 0Dh	Get the white R gain	n= 0~100	Pn/F
VXXS0337n	56h Xh Xh 53h 30h 33h 33h 37h nh 0Dh	Set the white R gain	n= 0~100	P/F
VXXG0338	56h Xh Xh 47h 30h 33h 33h 38h 0Dh	Get the white G gain	n= 0~200	Pn/F
VXXS0338n	56h Xh Xh 53h 30h 33h 33h 38h nh 0Dh	Set the white G gain	n= 0~200	P/F
VXXG0339	56h Xh Xh 47h 30h 33h 33h 39h 0Dh	Get the white B gain	n= 0~200	Pn/F
VXXS0339n	56h Xh Xh 53h 30h 33h 33h 39h nh 0Dh	Set the white B gain	n= 0~200	P/F
VXXG0340	56h Xh Xh 53h 30h 33h 34h 30h 0Dh	Get the Red Hue	n= -100~100	P/F
VXXS0340n	56h Xh Xh 47h 30h 33h 34h 30h nh 0Dh	Set the Red Hue	n= -100~100	Pn/F
VXXG0341	56h Xh Xh 47h 30h 33h 34h 31h 0Dh	Get the Red Saturation	n= -100~100	Pn/F
VXXS0341n	56h Xh Xh 53h 30h 33h 34h 31h nh 0Dh	Set the Red Saturation	n= -100~100	P/F
VXXG0342	56h Xh Xh 47h 30h 33h 34h 32h 0Dh	Get the Red Gain	n= -100~100	Pn/F
VXXS0342n	56h Xh Xh 53h 30h 33h 34h 32h nh 0Dh	Set the Red Gain	n= -100~100	P/F
VXXG0343	56h Xh Xh 53h 30h 33h 34h 33h 0Dh	Get the Green Hue	n= -100~100	P/F
VXXS0343n	56h Xh Xh 47h 30h 33h 34h 33h nh 0Dh	Set the Green Hue	n= -100~100	Pn/F
VXXG0344	56h Xh Xh 47h 30h 33h 34h 34h 0Dh	Get the Green Saturation	n= -100~100	Pn/F
VXXS0344n	56h Xh Xh 53h 30h 33h 34h 34h nh 0Dh	Set the Green Saturation	n= -100~100	P/F
VXXG0345	56h Xh Xh 47h 30h 33h 34h 35h 0Dh	Get the Green Gain	n= -100~100	Pn/F
VXXS0345n	56h Xh Xh 53h 30h 33h 34h 35h nh 0Dh	Set the Green Gain	n= -100~100	P/F
VXXG0346	56h Xh Xh 53h 30h 33h 34h 36h 0Dh	Get the Blue Hue	n= -100~100	P/F
VXXS0346n	56h Xh Xh 47h 30h 33h 34h 36h nh 0Dh	Set the Blue Hue	n= -100~100	Pn/F
VXXG0347	56h Xh Xh 47h 30h 33h 34h 37h 0Dh	Get the Blue Saturation	n= -100~100	Pn/F
VXXS0347n	56h Xh Xh 53h 30h 33h 34h 37h nh 0Dh	Set the Blue Saturation	n= -100~100	P/F
VXXG0348	56h Xh Xh 47h 30h 33h 34h 38h 0Dh	Get the Blue Gain	n= -100~100	Pn/F
VXXS0348n	56h Xh Xh 53h 30h 33h 34h 38h nh 0Dh	Set the Blue Gain	n= -100~100	P/F
VXXG0349	56h Xh Xh 53h 30h 33h 34h 39h 0Dh	Get the Cyan Hue	n= -100~100	P/F
VXXS0349n	56h Xh Xh 47h 30h 33h 34h 39h nh 0Dh	Set the Cyan Hue	n= -100~100	Pn/F
VXXG0350	56h Xh Xh 47h 30h 33h 35h 30h 0Dh	Get the Cyan Saturation	n= -100~100	Pn/F
VXXS0350n	56h Xh Xh 53h 30h 33h 35h 30h nh 0Dh	Set the Cyan Saturation	n= -100~100	P/F
VXXG0351	56h Xh Xh 47h 30h 33h 35h 31h 0Dh	Get the Cyan Gain	n= -100~100	Pn/F
VXXS0351n	56h Xh Xh 53h 30h 33h 35h 31h nh 0Dh	Set the Cyan Gain	n= -100~100	P/F
VXXG0352	56h Xh Xh 53h 30h 33h 35h 32h 0Dh	Get the Magenta Hue	n= -100~100	P/F
VXXS0352n	56h Xh Xh 47h 30h 33h 35h 32h nh 0Dh	Set the Magenta Hue	n= -100~100	Pn/F

<b>Command Group 03</b>				
<b>ASCII</b>	<b>HEX</b>	<b>Function</b>	<b>Description</b>	<b>Return Value</b>
VXXG0353	56h Xh Xh 47h 30h 33h 35h 33h 0Dh	Get the Magenta Saturation	n= -100~100	Pn/F
VXXS0353n	56h Xh Xh 53h 30h 33h 35h 33h nh 0Dh	Set the Magenta Saturation	n= -100~100	P/F
VXXG0354	56h Xh Xh 47h 30h 33h 35h 34h 0Dh	Get the Magenta Gain	n= -100~100	Pn/F
VXXS0354n	56h Xh Xh 53h 30h 33h 35h 34h nh 0Dh	Set the Magenta Gain	n= -100~100	P/F
VXXG0355	56h Xh Xh 53h 30h 33h 35h 35h 0Dh	Get the Yellow Hue	n= -100~100	P/F
VXXS0355n	56h Xh Xh 47h 30h 33h 35h 35h nh 0Dh	Set the Yellow Hue	n= -100~100	Pn/F
VXXG0356	56h Xh Xh 47h 30h 33h 35h 36h 0Dh	Get the Yellow Saturation	n= -100~100	Pn/F
VXXS0356n	56h Xh Xh 53h 30h 33h 35h 36h nh 0Dh	Set the Yellow Saturation	n= -100~100	P/F
VXXG0357	56h Xh Xh 47h 30h 33h 35h 37h 0Dh	Get the Yellow Gain	n= -100~100	Pn/F
VXXS0357n	56h Xh Xh 53h 30h 33h 35h 37h nh 0Dh	Set the Yellow Gain	n= -100~100	P/F
VXXG0358	56h Xh Xh 47h 30h 33h 35h 38h 0Dh	Get IR On/Off Status	n= 0~3	Pn/F
VXXS0358n	56h Xh Xh 53h 30h 33h 35h 38h nh 0Dh	Get IR On/Off Status	0:Both on 1:Front on 2:Back on 3:Both off	P/F